

BERKELEY® B1WQS-9

AIR COOLED ENGINE DRIVE

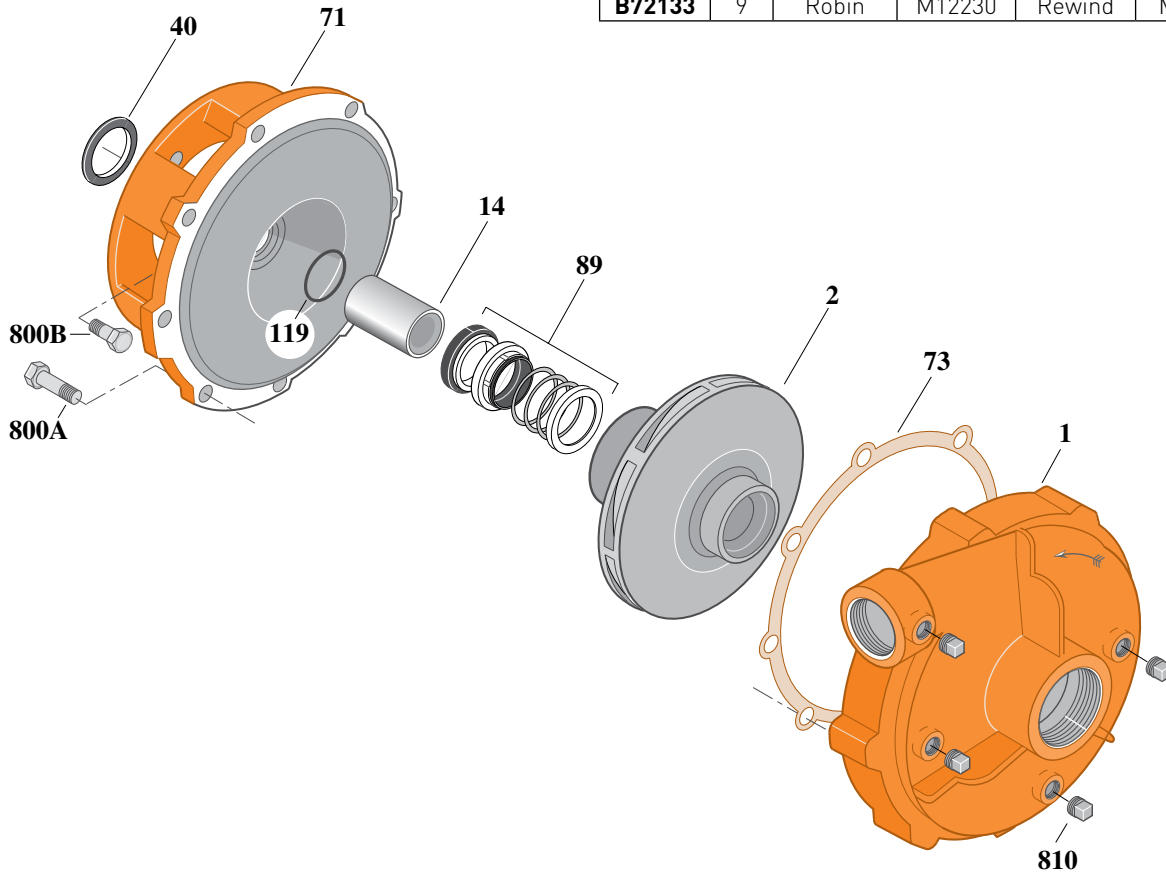
Cast Iron Impeller

Threaded Case (NPT), Mechanical Seal Construction

Section	AC
Page	10.1
Date	March 4, 2013
Supersedes 01/01/04	

Table I

B/M No.	HP	Engine Mfr.	Engine Part No.	Engine Starter	Base Part No.
B72133	9	Robin	M12230	Rewind	M10733



2222 0195

Item No.	Part Description	Part Number
1	Case, Volute	L04022
2	Impeller	M12221
14	Sleeve, Shaft	M10726
40	Slinger, Water	S03893
71	Bracket	L06779
73	Gasket	S05126
89	Seal, Mechanical Shaft	S32013
119	O-Ring	M10728
800A	Capscrew, Hex 3/8-16x1" (8 Req.)	S26826
800B	Capscrew, Hex 5/16-24x3/4" (4 Req.)	S23168
810	Plug, Pipe 1/4 NPT (4 Req.)	S23715

NOTE: Refer to **Supplement A** for base configuration and mounting hardware.



BERKELEY® B1-1/2TQMS-8 AIR COOLED ENGINE DRIVE

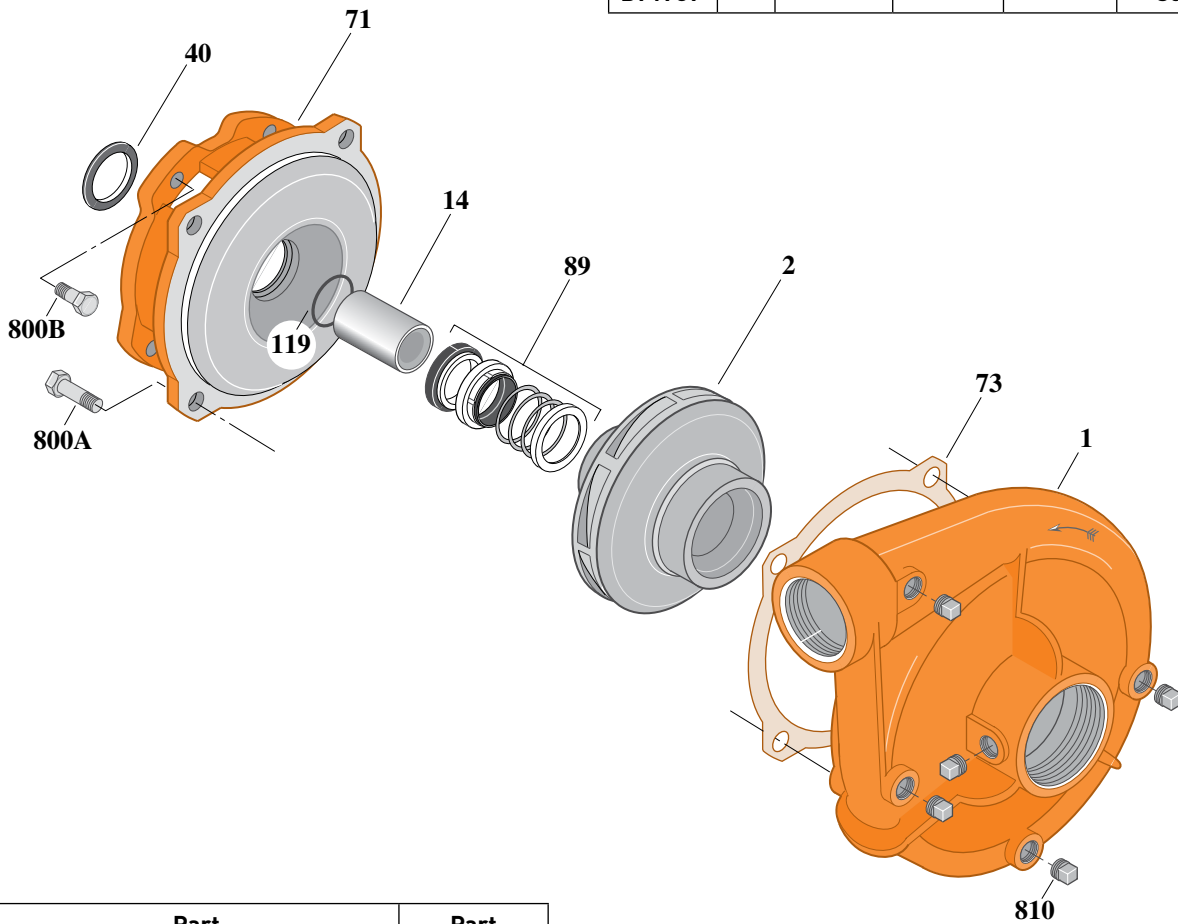
Cast Iron Impeller

Threaded Case (NPT), Mechanical Seal Construction

Section	AC
Page	20.1
Date	March 4, 2013
Supersedes 02/01/96	

Table I

B/M No.	HP	Engine Mfr.	Engine Part No.	Engine Starter	Base Part No.
B71738	8	Briggs & Stratton	S30691	Rewind	Unmounted
B71739					S37504



Item No.	Part Description	Part Number
1	Case, Volute	L01018
2	Impeller	L07723
14	Sleeve, Shaft	M10731
40	Slinger, Water	S03893
71	Bracket	H05263
73	Gasket	S04757
89	Seal, Mechanical Shaft	S32014
119	O-Ring	M10728
800A	Cap screw, Hex 1/2-13x1" (4 Req.)	S26912
800B	Cap screw, Hex 3/8-26x1" (4 Req.)	S26826
810	Plug, Pipe 1/4 NPT (4 Req.)	S23715

NOTE: Refer to **Supplement A** for base configuration and mounting hardware.



BERKELEY® B1-1/2TQMS-9

AIR COOLED ENGINE DRIVE

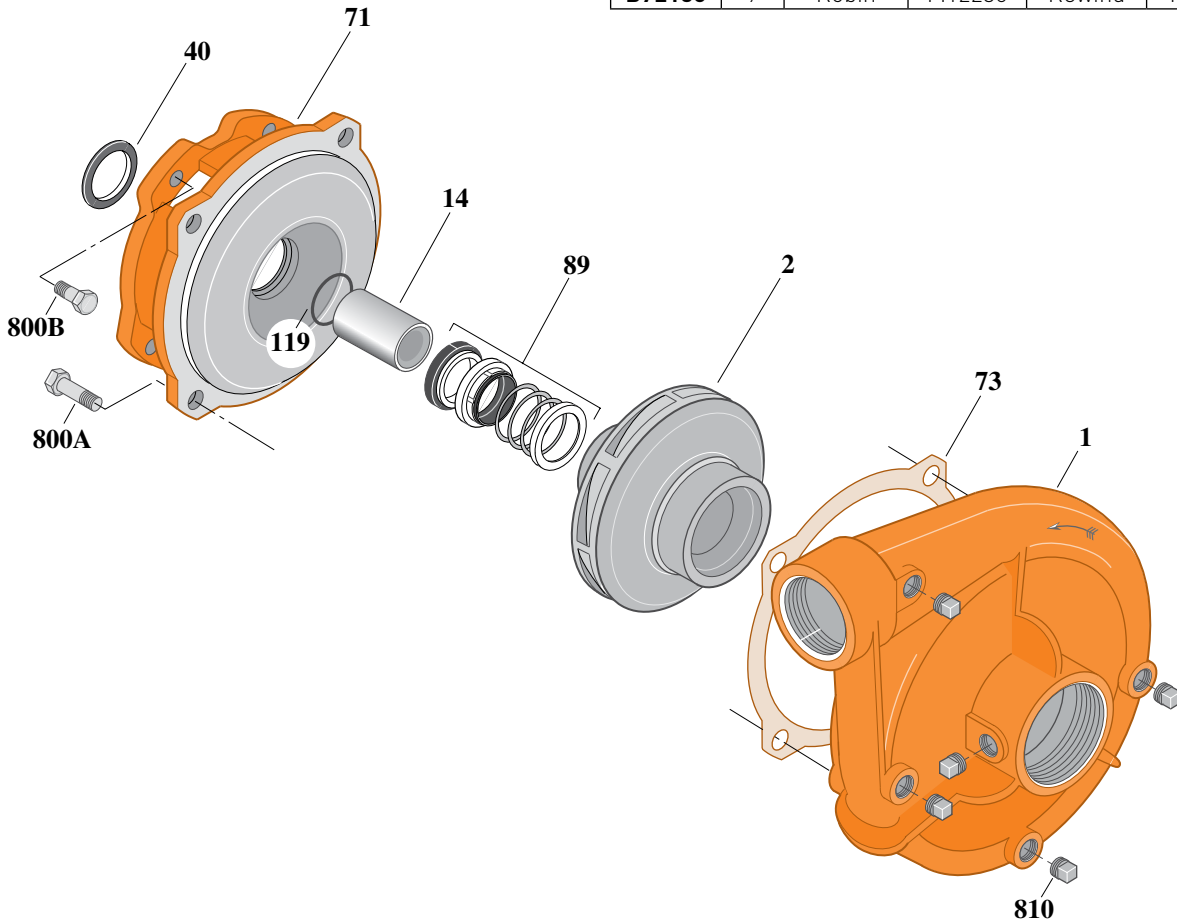
Cast Iron Impeller

Threaded Case (NPT), Mechanical Seal Construction

Section	AC
Page	30.1
Date	March 4, 2013
Supersedes 01/01/04	

Table I

B/M No.	HP	Engine Mfr.	Engine Part No.	Engine Starter	Base Part No.
B72136	9	Robin	M12230	Rewind	M12393



Item No.	Part Description	Part Number
1	Case, Volute	L01018
2	Impeller	L07510
14	Sleeve, Shaft	M10731
40	Slinger, Water	S03893
71	Bracket	L01600
73	Gasket	S04757
89	Seal, Mechanical Shaft	S32014
119	O-Ring	M10728
800A	Cap screw, Hex 1/2-13x1" (4 Req.)	S26912
800B	Cap screw, Hex 3/8-16x1" (4 Req.)	S26826
810	Plug, Pipe 1/4 NPT (4 Req.)	S23715

NOTE: Refer to **Supplement A** for base configuration and mounting hardware.



BERKELEY® B1-1/2TQMS-11 AIR COOLED ENGINE DRIVE

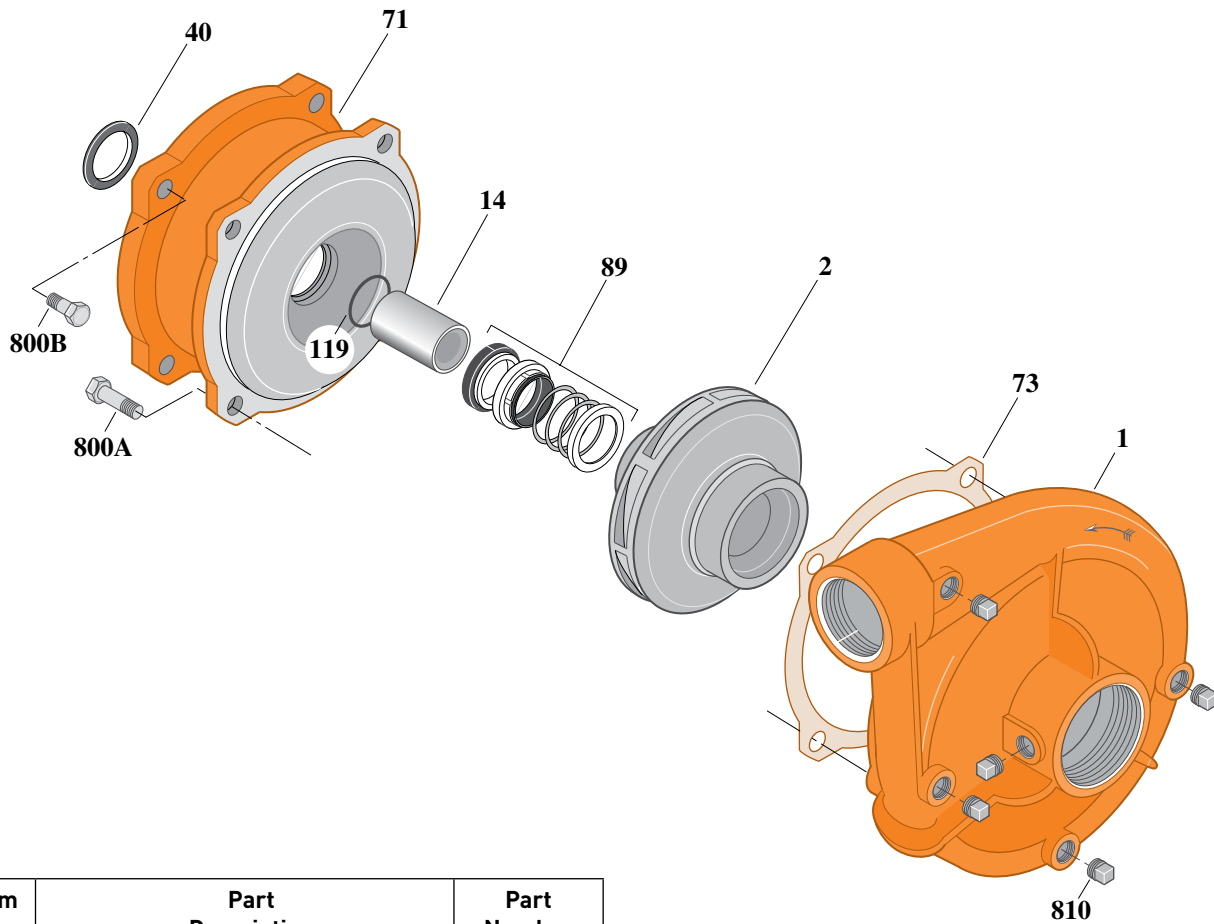
Cast Iron Impeller

Threaded Case (NPT), Mechanical Seal Construction

Section	AC
Page	40.1
Date	March 4, 2013
Supersedes 01/01/04	

Table I

B/M No.	HP	Engine Mfr.	Engine Part No.	Engine Starter	Base Part No.
B72599	11	Robin	H05504	Electric	H05766



Item No.	Part Description	Part Number
1	Case, Volute	L01018
2	Impeller	L07985
14	Sleeve, Shaft	M10731
40	Slinger, Water	S03893
71	Bracket	L01600
73	Gasket	S04757
89	Seal, Mechanical Shaft	S32014
119	O-Ring	M10728
800A	Cap screw, Hex 1/2-13x1" (4 Req.)	S26912
800B	Cap screw, Hex 3/8-16x1" (4 Req.)	S26826
810	Plug, Pipe 1/4 NPT (4 Req.)	S23715

NOTE: Refer to **Supplement A** for base configuration and mounting hardware.



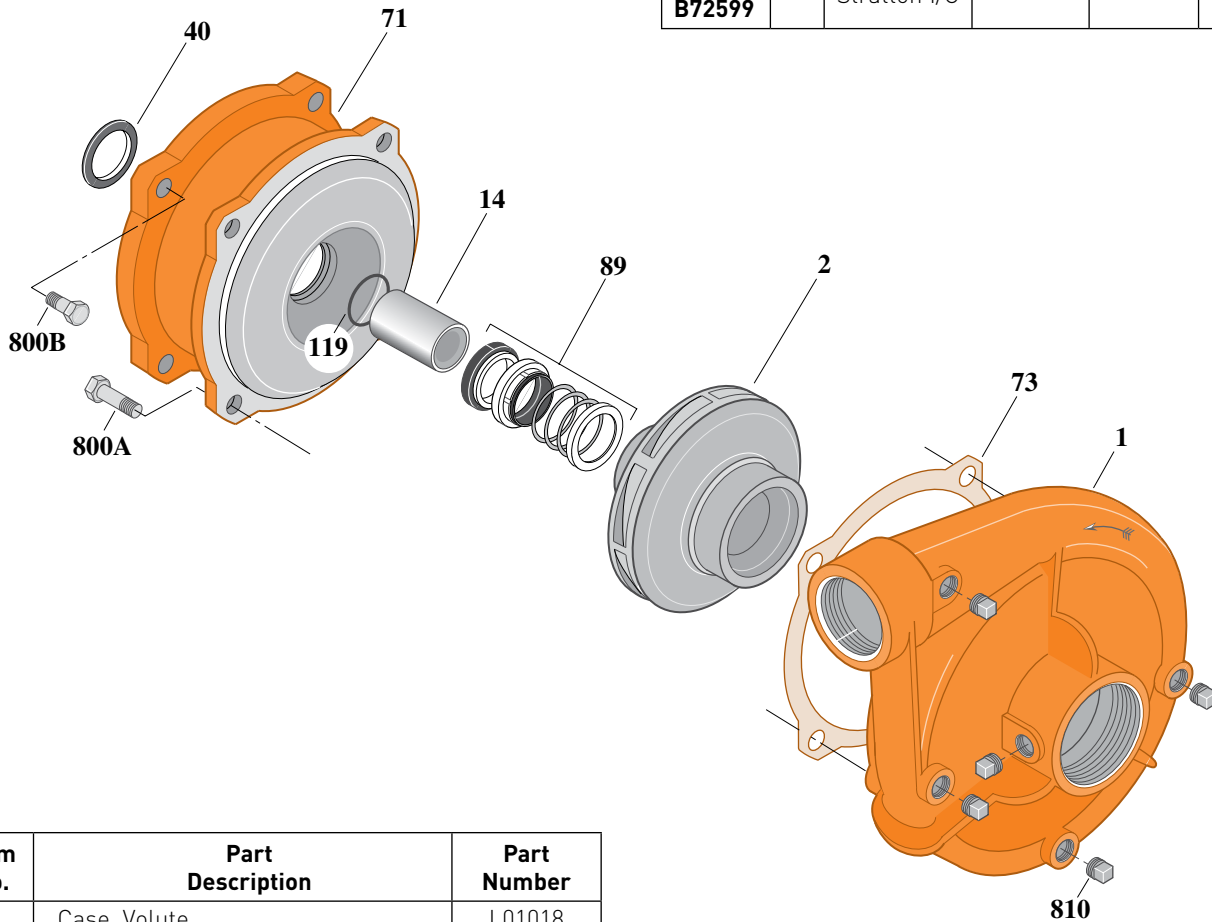
BERKELEY® B1-1/2TQMS-10 AIR COOLED ENGINE DRIVE Silicon Bronze Impeller

Threaded Case (NPT), Mechanical Seal Construction

Section	AC
Page	40.3
Date	March 4, 2013
Supersedes 09/01/97	

Table I

B/M No.	HP	Engine Mfr.	Engine Part No.	Engine Starter	Base Part No.
B72598	10	Briggs & Stratton I/C	H05503	Rewind	Unmount
B72597					H05766
B72600	10	Briggs & Stratton I/C	H05504	Electric	Unmount
B72599					H05766



Item No.	Part Description	Part Number
1	Case, Volute	L01018
2	Impeller	L07985
14	Sleeve, Shaft	M10731
40	Slinger, Water	S03893
71	Bracket	L01600
73	Gasket	S04757
89	Seal, Mechanical Shaft	S32014
119	O-Ring	M10728
800A	Capscrew, Hex 1/2-13x1" (4 Req.)	S26912
800B	Capscrew, Hex 3/8-16x1" (4 Req.)	S26826
810	Plug, Pipe 1/4 NPT (4 Req.)	S23715

NOTE: Refer to **Supplement A** for base configuration and mounting hardware.



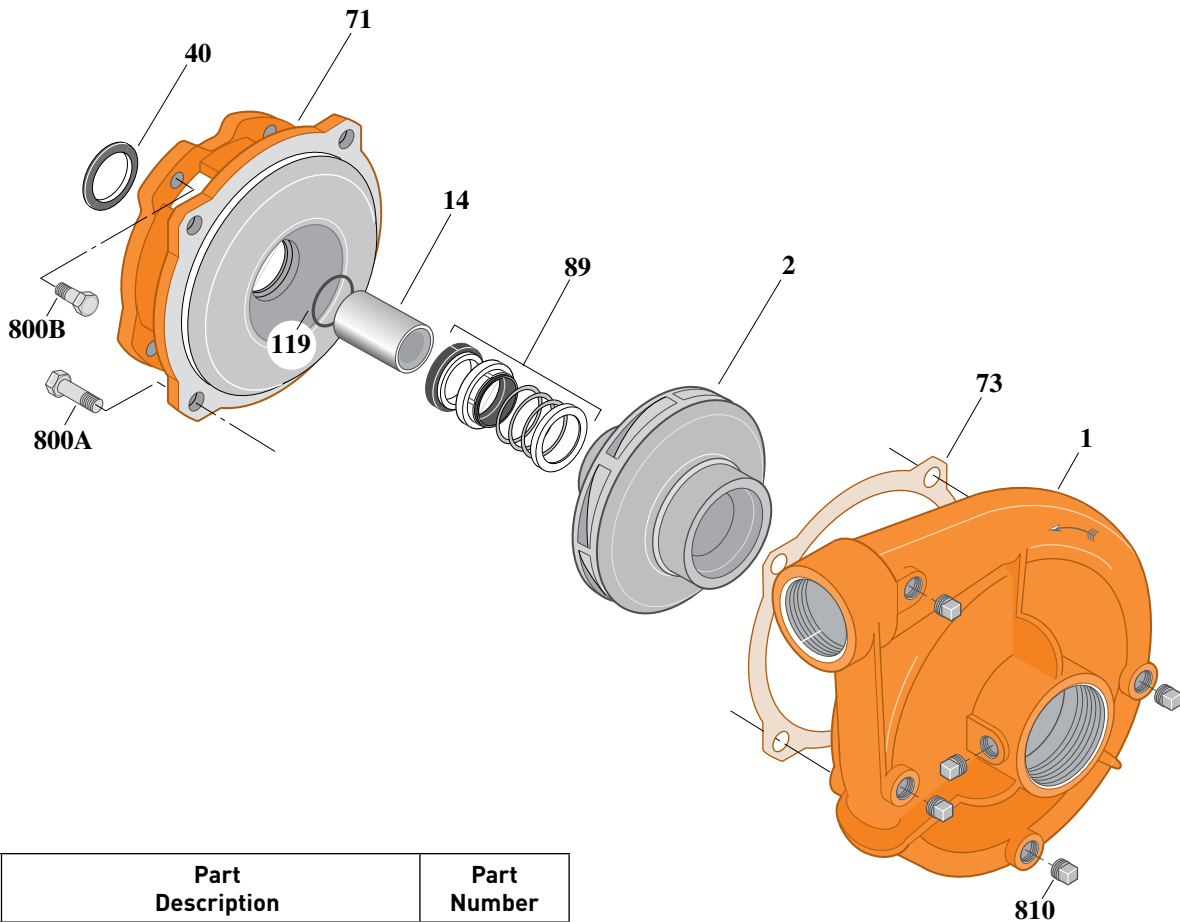
BERKELEY® B1-1/2TQMS-14 AIR COOLED ENGINE DRIVE Cast Iron Impeller

Threaded Case (NPT), Mechanical Seal Construction

Section	AC
Page	50.1
Date	March 4, 2013
Supersedes 01/01/04	

Table I

B/M No.	HP	Engine Mfr.	Engine Part No.	Engine Starter	Base Part No.
B71146	14	Robin	H05167	Electric	H05248



Item No.	Part Description	Part Number
1	Case, Volute	L01018
2	Impeller	L07511
14	Sleeve, Shaft	M10731
40	Slinger, Water	S03893
71	Bracket	L01600
73	Gasket	S04757
89	Seal, Mechanical Shaft	S32014
119	O-Ring	M10728
800A	Cap screw, Hex 1/2-13x1" (4 Req.)	S26912
800B	Cap screw, Hex 3/8-16x1" (4 Req.)	S26826
810	Plug, Pipe 1/4 NPT (5 Req.)	S23715

NOTE: Refer to **Supplement A** for base configuration and mounting hardware.



BERKELEY® B1-1/2ZQLS-14 AIR COOLED ENGINE DRIVE

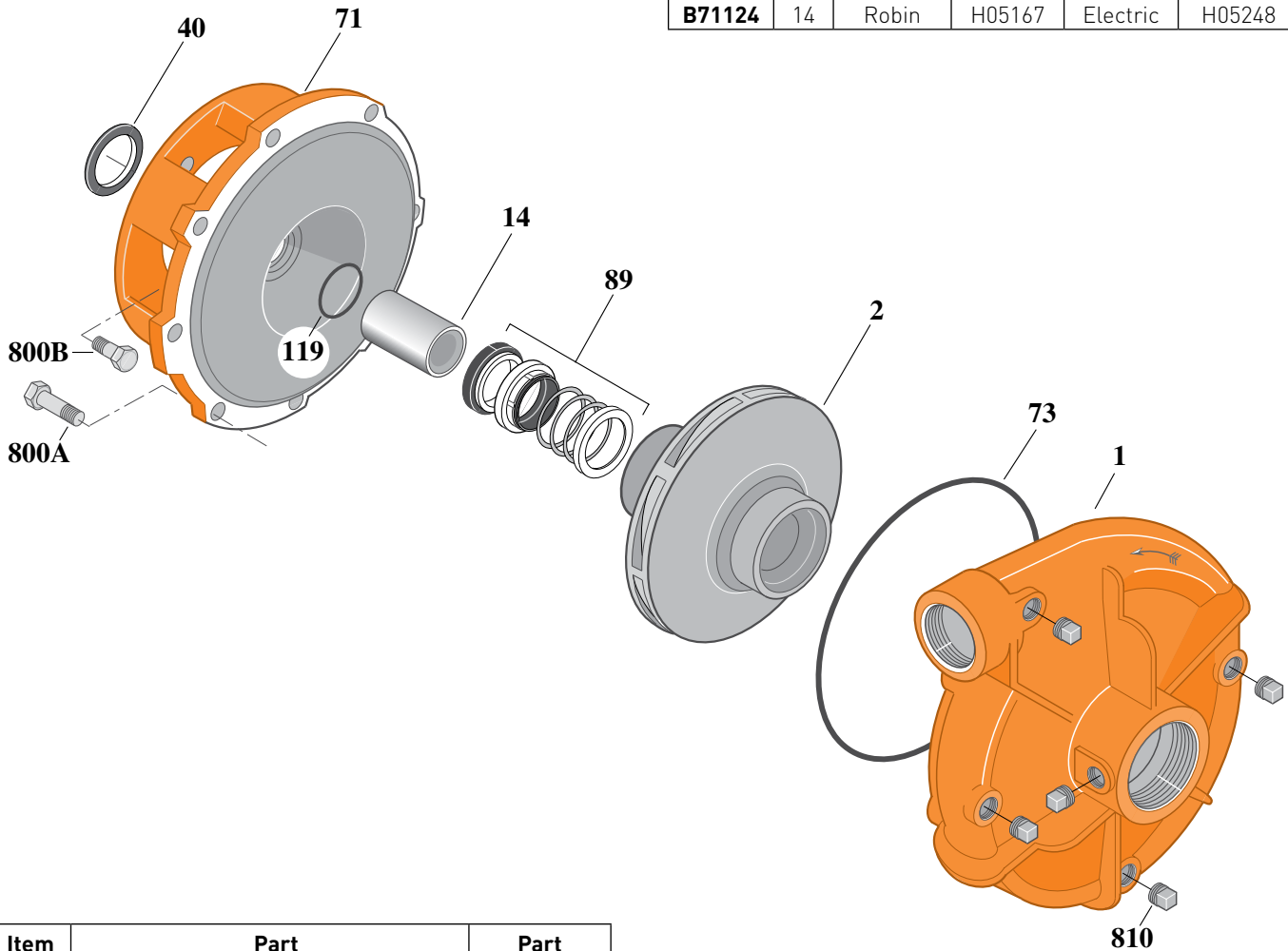
Cast Iron Impeller

Threaded Case (NPT), Mechanical Seal Construction

Section	AC
Page	60.1
Date	March 4, 2013
Supersedes 07/01/11	

Table I

B/M No.	HP	Engine Mfr.	Engine Part No.	Engine Starter	Base Part No.
B71124	14	Robin	H05167	Electric	H05248



Item No.	Part Description	Part Number
1	Case, Volute	L01025
2	Impeller	M10447
14	Sleeve, Shaft	M10726
40	Slinger, Water	S03893
71	Bracket	H05262
73	O-Ring [See Note 2]	M14943
89	Seal, Mechanical Shaft	S32013
119	O-Ring	M10728
800A	Capscrew, Hex 3/8-16x1" (8 Req.)	S26826
800B	Capscrew, Hex 5/16-24x1-3/8" (4 Req.)	S23562
810	Plug, Pipe 1/4 NPT (5 Req.)	S23715

2225 1210

NOTE 1: Refer to **Supplement A** located at the beginning of this section for base configuration and mounting hardware.

NOTE 2: Also accepts gasket **S05126** as replacement for O-Ring. See **Supplement E** located at the beginning of this section.



BERKELEY® B1-1/2ZQLS-18 AIR COOLED ENGINE DRIVE

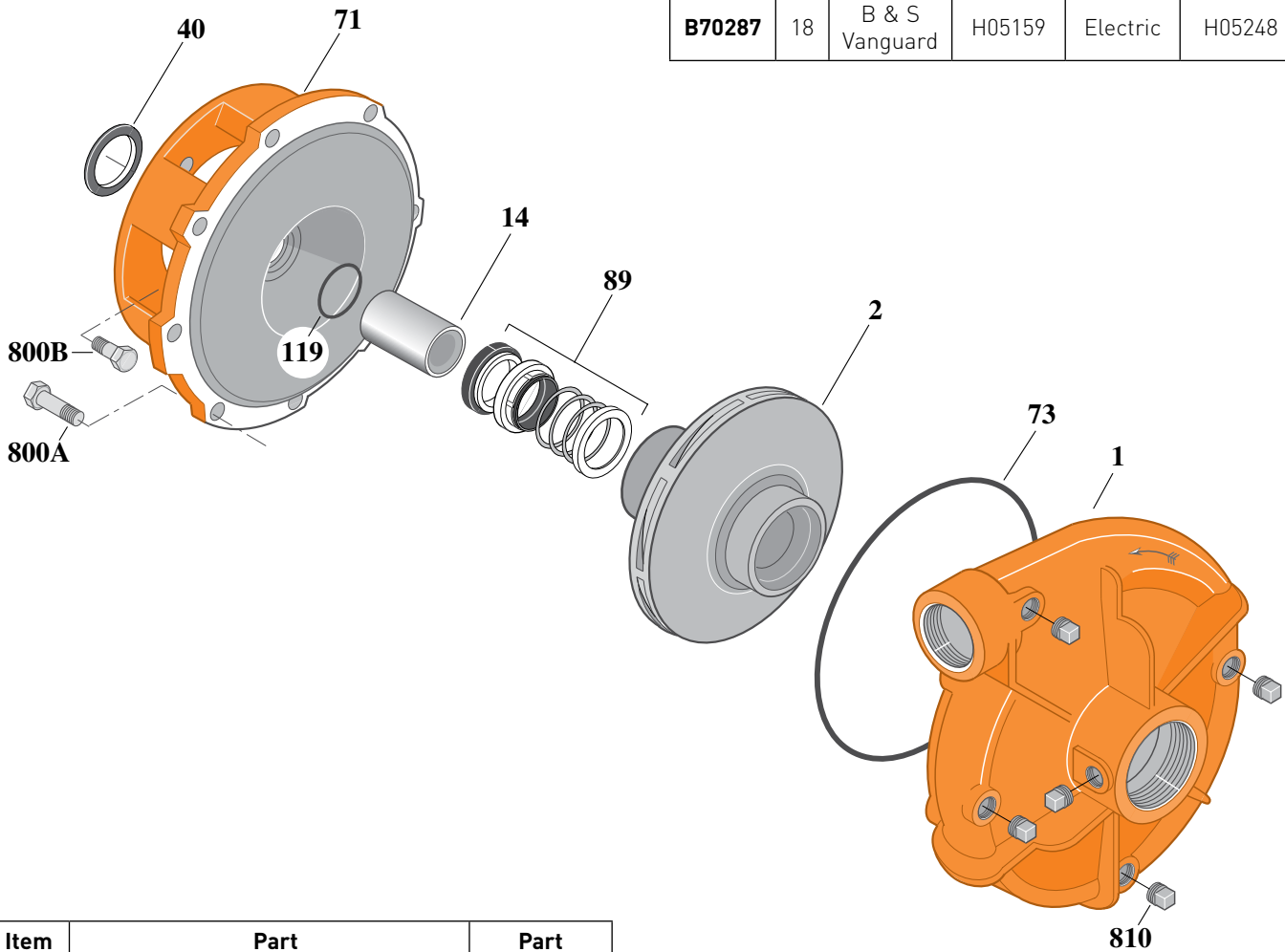
Cast Iron Impeller

Threaded Case (NPT), Mechanical Seal Construction

Section	AC
Page	70.1
Date	March 4, 2013
Supersedes 01/01/04	

Table I

B/M No.	HP	Engine Mfr.	Engine Part No.	Engine Starter	Base Part No.
B70287	18	B & S Vanguard	H05159	Electric	H05248



Item No.	Part Description	Part Number
1	Case, Volute	L01025
2	Impeller	M10315
14	Sleeve, Shaft	M10726
40	Slinger, Water	S03893
71	Bracket	H05262
73	O-Ring [See Note 2]	M14943
89	Seal, Mechanical Shaft	S32013
119	O-Ring	M10728
800A	Capscrew, Hex 3/8-16x1" [8 Req.]	S26826
800B	Capscrew, Hex 5/16-24x1-1/2"[4 Req.]	S23562
810	Plug, Pipe 1/4 NPT [5 Req.]	S23715

NOTE 1: Refer to **Supplement A** located at the beginning of this section for base configuration and mounting hardware.

NOTE 2: Also accepts gasket **S05126** as replacement for O-Ring. See **Supplement E** located at the beginning of this section.



BERKELEY® B2TQMS-14

AIR COOLED ENGINE DRIVE

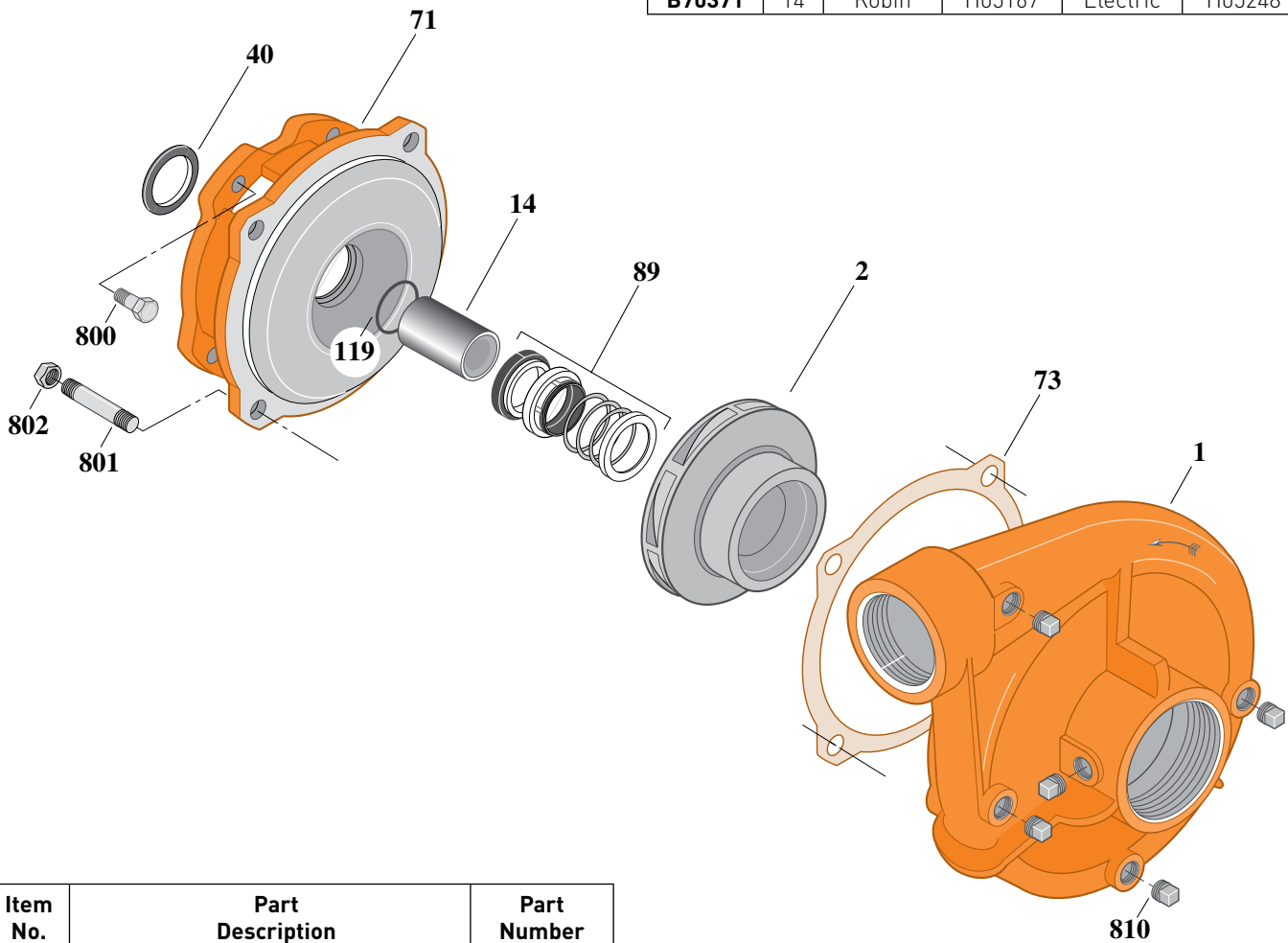
Cast Iron Impeller

Threaded Case (NPT), Mechanical Seal Construction

Section	AC
Page	80.1
Date	March 4, 2013
Supersedes 01/01/04	

Table I

B/M No.	HP	Engine Mfr.	Engine Part No.	Engine Starter	Base Part No.
B70371	14	Robin	H05167	Electric	H05248



Item No.	Part Description	Part Number
1	Case, Volute	L01022
2	Impeller	M10452
14	Sleeve, Shaft	M10731
40	Slinger, Water	S03893
71	Bracket	L01600
73	Gasket	S04757
89	Seal, Mechanical Shaft	S32014
119	O-Ring	M10728
800	Capscrew, Hex 1/2-13x1" [4 Req.]	S26826
801	Stud, Hex 1/2-13x1-1/2" [4 Req.]	S24043
802	Nut, Hex 1/2x13 [4 Req.]	S23107
810	Plug, Pipe 1/4 NPT [5 Req.]	S23715

NOTE: Refer to **Supplement A** for base configuration and mounting hardware.



BERKELEY® B2ZQLS-18

AIR COOLED ENGINE DRIVE

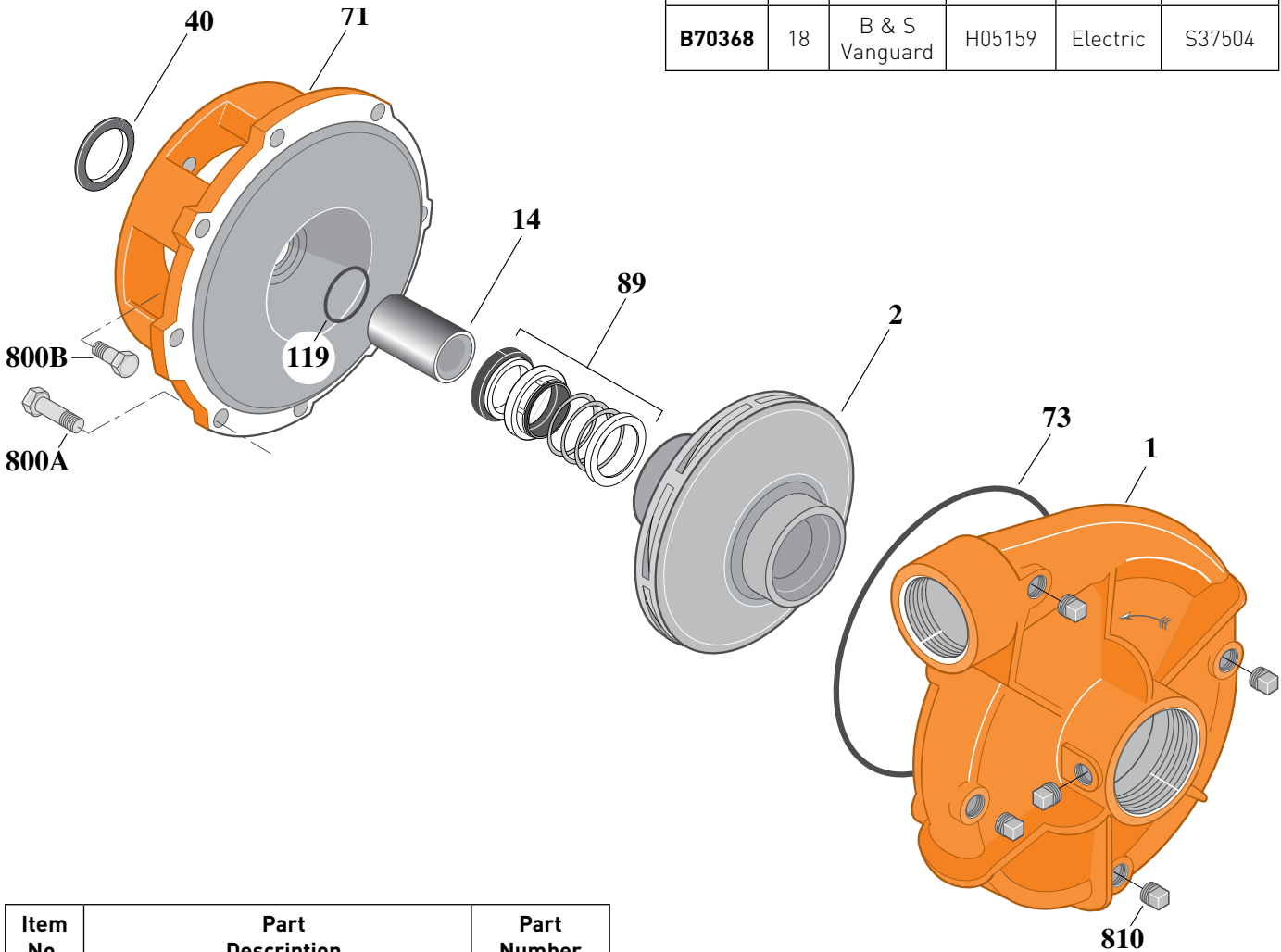
Cast Iron Impeller

Threaded Case (NPT), Mechanical Seal Construction

Section	AC
Page	90.1
Date	March 4, 2013
Supersedes 07/01/11	

Table I

B/M No.	HP	Engine Mfr.	Engine Part No.	Engine Starter	Base Part No.
B70368	18	B & S Vanguard	H05159	Electric	S37504



Item No.	Part Description	Part Number
1	Case, Volute	L01026
2	Impeller	L07260
14	Sleeve, Shaft	M10726
40	Slinger, Water	S03893
71	Bracket	H05262
73	O-Ring [See Note 2]	M14943
89	Seal, Mechanical Shaft	S32013
119	O-Ring	M10728
800A	Capscrew, Hex 3/8-16x7/8" [8 Req.]	S26825
800B	Capscrew, Hex 5/16-24x1-1/2" [4 Req.]	S23562
810	Plug, Pipe 1/4 NPT [5 Req.]	S23715

NOTE 1: Refer to **Supplement A** located at the beginning of this section for base configuration and mounting hardware.

NOTE 2: Also accepts gasket **S05126** as replacement for O-Ring. See **Supplement E** located at the beginning of this section.



BERKELEY® B2EQLS-30

AIR COOLED ENGINE DRIVE

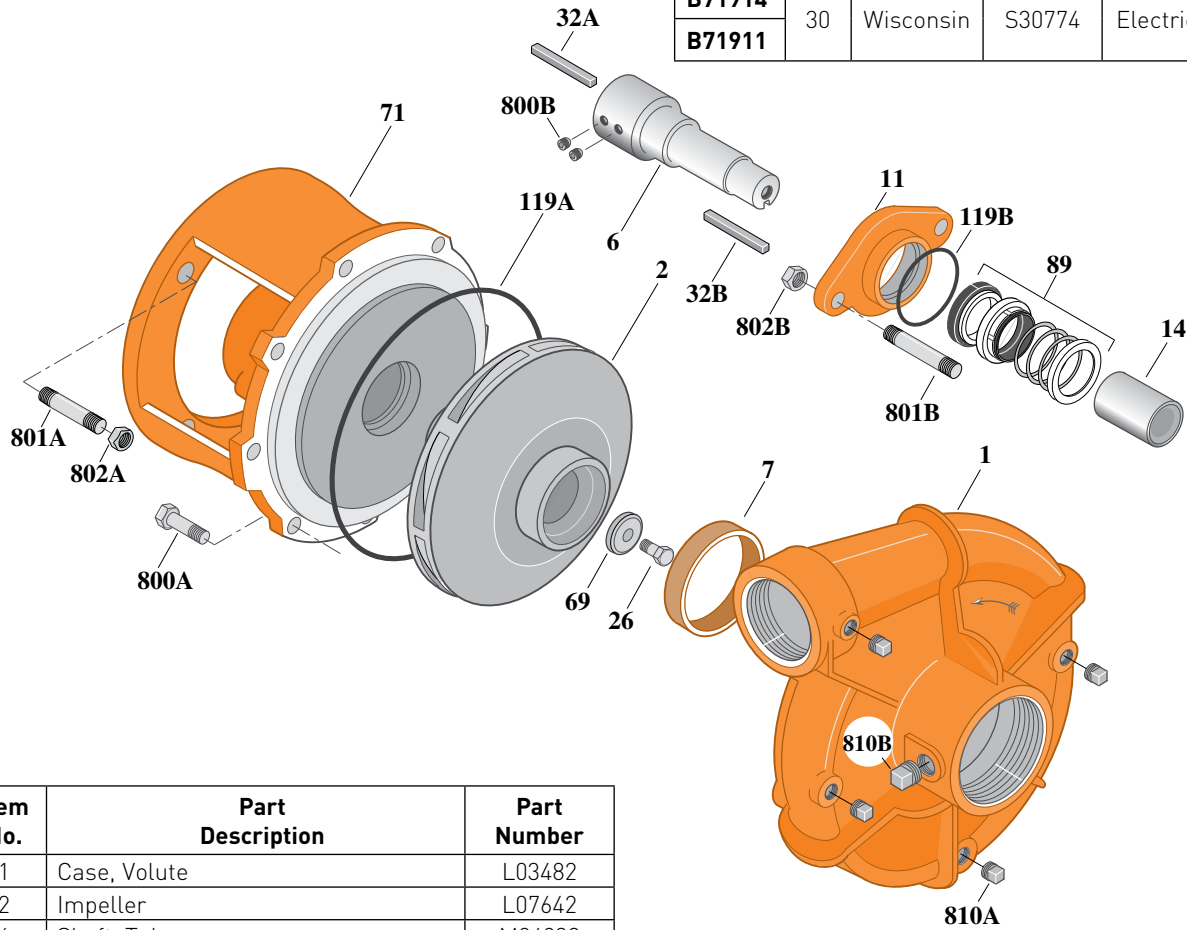
Cast Iron Impeller

Threaded Case (NPT), Mechanical Seal Construction

Section	AC
Page	100.1
Date	March 4, 2013
Supersedes 02/01/96	

Table I

B/M No.	HP	Engine Mfr.	Engine Part No.	Engine Starter	Base Part No.
B71914	30	Wisconsin	S30774	Electric	Unmount
B71911					S37521



Item No.	Part Description	Part Number
1	Case, Volute	L03482
2	Impeller	L07642
6	Shaft, Telescope	M04932
7	Ring, Wearing	S02005
11	Retainer, Mechanical Shaft Seal	S07251
14	Sleeve, Shaft	S05149
26	Screw, Impeller 1/2-13x1-1/2"	S23621
32A	Key, 3/8x1-3/4"	S24188
32B	Key, 1/4x1-1/2"	S23505
69	Washer, Impeller	S06317
71	Bracket	L04825
89	Seal, Mechanical Shaft	S32692
119A	O-Ring	S13760
119B	O-Ring	S26471
800A	Capscrew, Hex 1/2-13x1-1/2" (8 Req.)	S26914
800B	Screw, Set (2 Req.)	S23958

Item No.	Part Description	Part Number
801A	Stud, 7/16-14x2" (4 Req.)	S24004
801B	Stud, 3/8-16x2-1/2" (2 Req.)	S23999
802A	Nut, Hex 7/16-14 (4 Req.)	S23105
802B	Nut, Hex 3/8-16 (2 Req.)	S23103
810A	Plug, Pipe 1/4 NPT (4 Req.)	S23715
810B	Plug, Pipe 1/2 NPT (2 Req.)	S23717

NOTE: Refer to **Supplement A** for base configuration and mounting hardware.



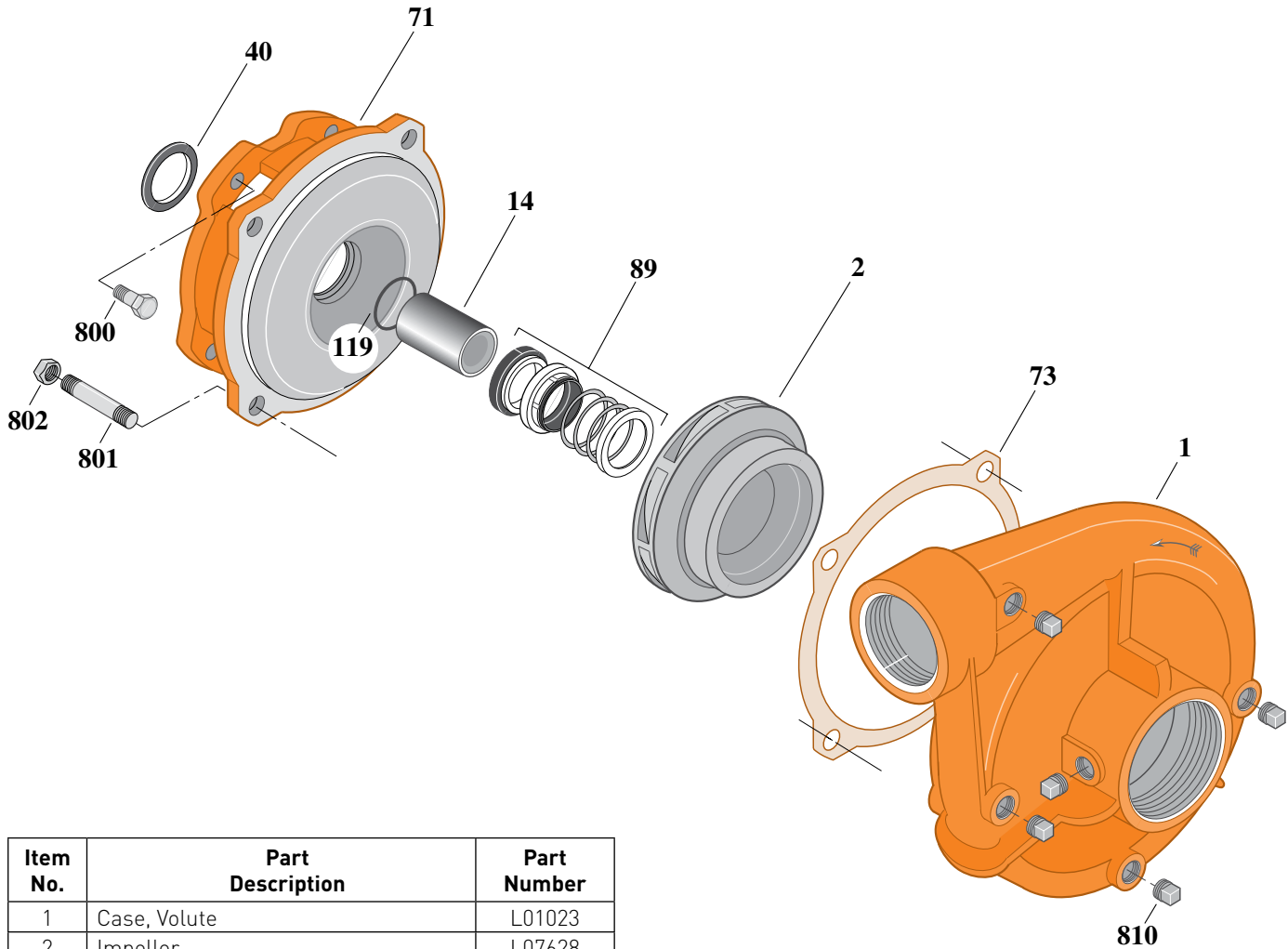
BERKELEY® B2-1/2TQMS-14 AIR COOLED ENGINE DRIVE Cast Iron Impeller

Threaded Case (NPT), Mechanical Seal Construction

Section	AC
Page	110.1
Date	March 4, 2013
Supersedes 01/01/04	

Table I

B/M No.	HP	Engine Mfr.	Engine Part No.	Engine Starter	Base Part No.
B71685	14	Robin	H05167	Electric	H05248



Item No.	Part Description	Part Number
1	Case, Volute	L01023
2	Impeller	L07628
14	Sleeve, Shaft	M10731
40	Slinger, Water	S03893
71	Bracket	L01600
73	Gasket	S04757
89	Seal, Mechanical Shaft	S32014
119	O-Ring	M10728
800	Capscrew, Hex 1/2-13x1" [4 Req.]	S26826
801	Stud, 1/2-13x1-1/2" [4 Req.]	S23043
802	Nut, Hex 1/2-13 [4 Req.]	S23107
810	Plug, Pipe 1/4 NPT [5 Req.]	S23715

NOTE: Refer to **Supplement A** for base configuration and mounting hardware.



BERKELEY® B2-1/2ZQMS-30 AIR COOLED ENGINE DRIVE

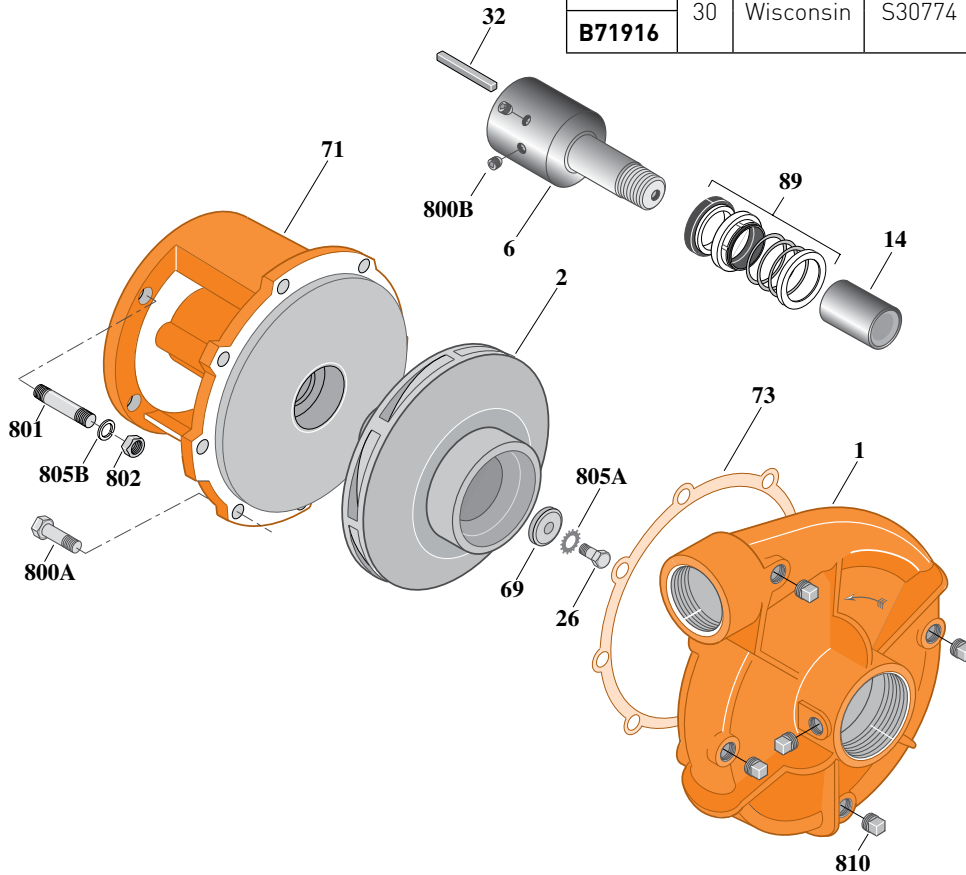
Cast Iron Impeller

Threaded Case (NPT), Mechanical Seal Construction

Section	AC
Page	120.1
Date	March 4, 2013
Supersedes 02/01/96	

Table I

B/M No.	HP	Engine Mfr.	Engine Part No.	Engine Starter	Base Part No.
B71915	30	Wisconsin	S30774	Electric	Unmounted
B71916					S37521



Item No.	Part Description	Part Number
1	Case, Volute	L01027
2	Impeller	L07643
6	Shaft, Telescope	M04274
14	Sleeve, Shaft	S00619
26	Screw, Impeller	S23566
32	Key, 3/8x2"	S24189
69	Washer, Impeller	S06314
71	Bracket	H01079
73	Gasket, Case	S05126
89	Seal, Mechanical Shaft	S32014
800A	Capscrew, Hex 3/8-16x7/8" [8 Req.]	S26825

Item No.	Part Description	Part Number
800B	Screw, Set [2 Req.]	S23955
801	Stud, 7/16-14x2" [4 Req.]	S24004
802	Nut, Hex 7/16-14 [4 Req.]	S23105
805A	Washer, Lock	S23036
805B	Washer, Spring Lock [4 Req.]	S23077
810	Plug, Pipe 1/4 NPT [5 Req.]	S23715

NOTE: Refer to **Supplement A** for base configuration and mounting hardware.



BERKELEY® B3TQMS-14

AIR COOLED ENGINE DRIVE

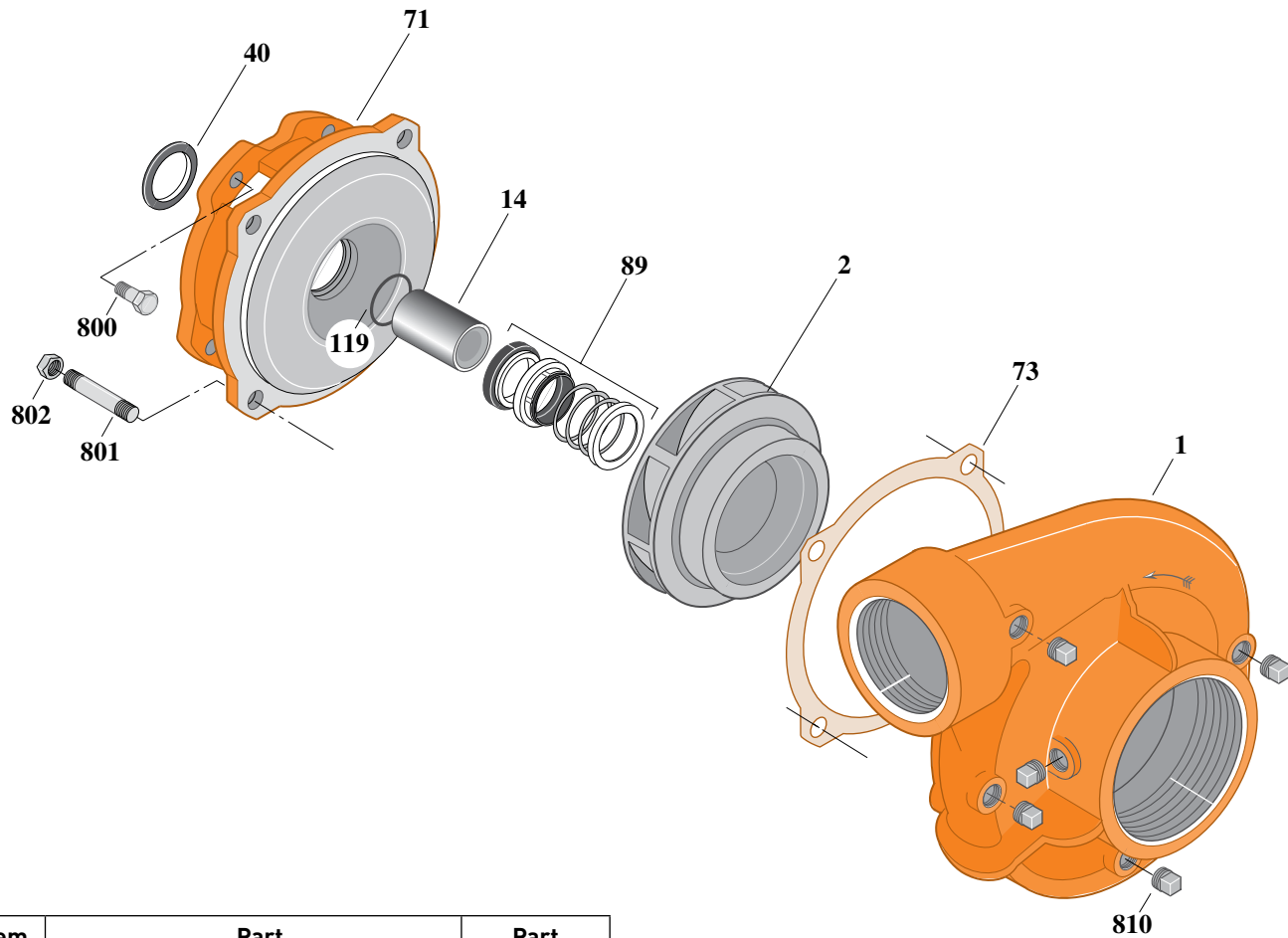
Cast Iron Impeller

Threaded Case (NPT), Mechanical Seal Construction

Section	AC
Page	130.1
Date	March 4, 2013
Supersedes 01/01/04	

Table I

B/M No.	HP	Engine Mfr.	Engine Part No.	Engine Starter	Base Part No.
B71123	14	Robin	H05167	Electric	H05248



Item No.	Part Description	Part Number
2	Impeller	M10451
14	Sleeve, Shaft	M10731
40	Slinger, Water	S03893
71	Bracket	L01600
73	Gasket	S04757
89	Seal, Mechanical Shaft	S32014
119	O-Ring	M10728
800	Capscrew, Hex 3/8-16x1" (4 Req.)	S26826
801	Stud, 1/2-13x1-1/2" (4 Req.)	S24043
802	Nut, Hex 1/2-13 (4 Req.)	S23107
810	Plug, Pipe 1/4 NPT (5 Req.)	S23715

NOTE: Refer to **Supplement A** for base configuration and mounting hardware.



BERKELEY® B3TQMS-18

AIR COOLED ENGINE DRIVE

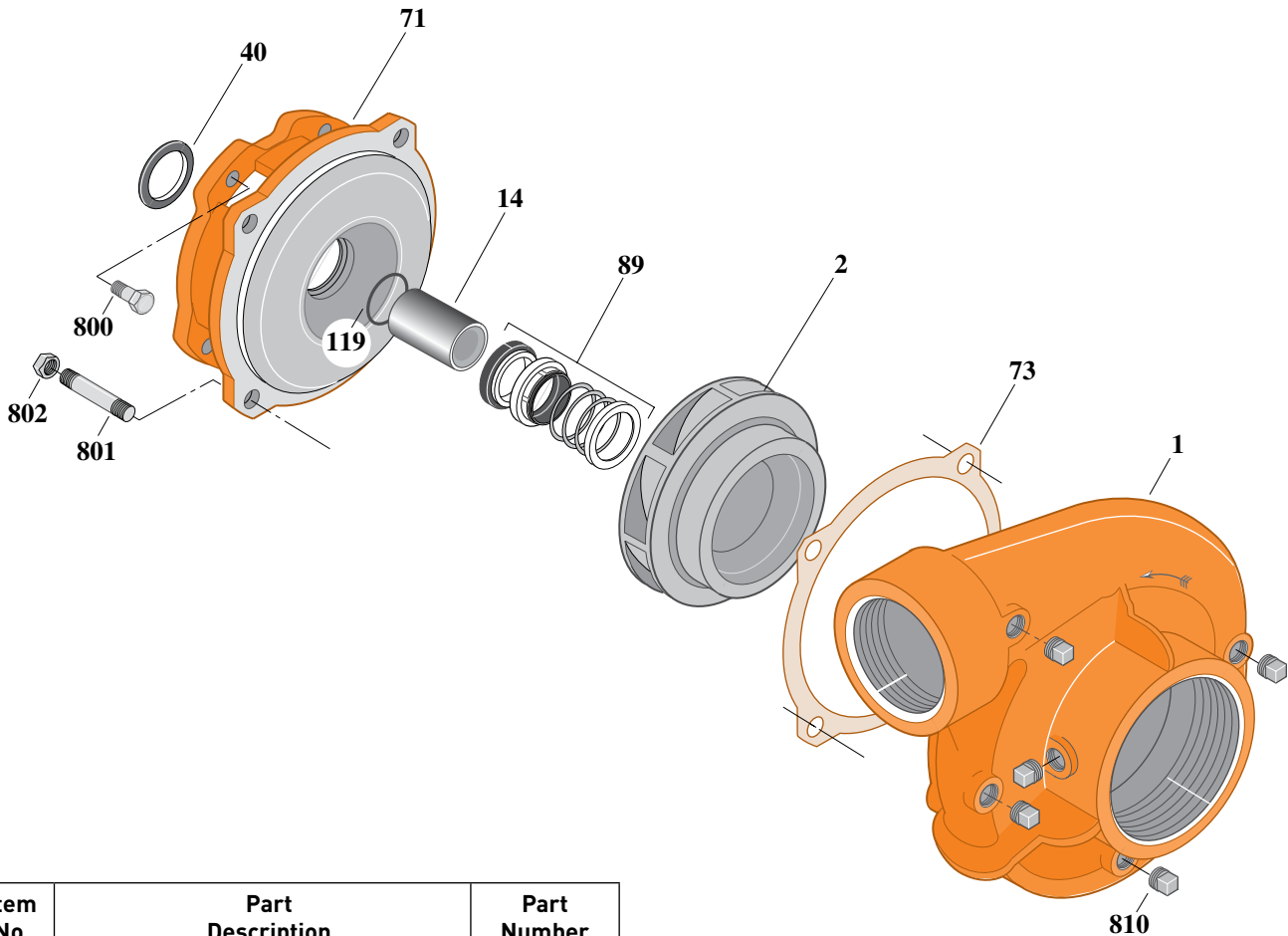
Cast Iron Impeller

Threaded Case (NPT), Mechanical Seal Construction

Section	AC
Page	140.1
Date	March 4, 2013
Supersedes 01/01/04	

Table I

B/M No.	HP	Engine Mfr.	Engine Part No.	Engine Starter	Base Part No.
B71149	18	B & S Vanguard	H05159	Electric	H05248



Item No.	Part Description	Part Number
2	Impeller	M10451
14	Sleeve, Shaft	M10731
40	Slinger, Water	S03893
71	Bracket	L01600
73	Gasket	S04757
89	Seal, Mechanical Shaft	S32014
119	O-Ring	M10728
800	Cap screw, Hex 3/8-16x1" (4 Req.)	S26826
801	Stud, 1/2-13x1-1/2" (4 Req.)	S24043
802	Nut, Hex 1/2-13 (4 Req.)	S23107
810	Plug, Pipe 1/4 NPT (5 Req.)	S23715

NOTE: Refer to **Supplement A** for base configuration and mounting hardware.



BERKELEY® B3ZQMS-30

AIR COOLED ENGINE DRIVE

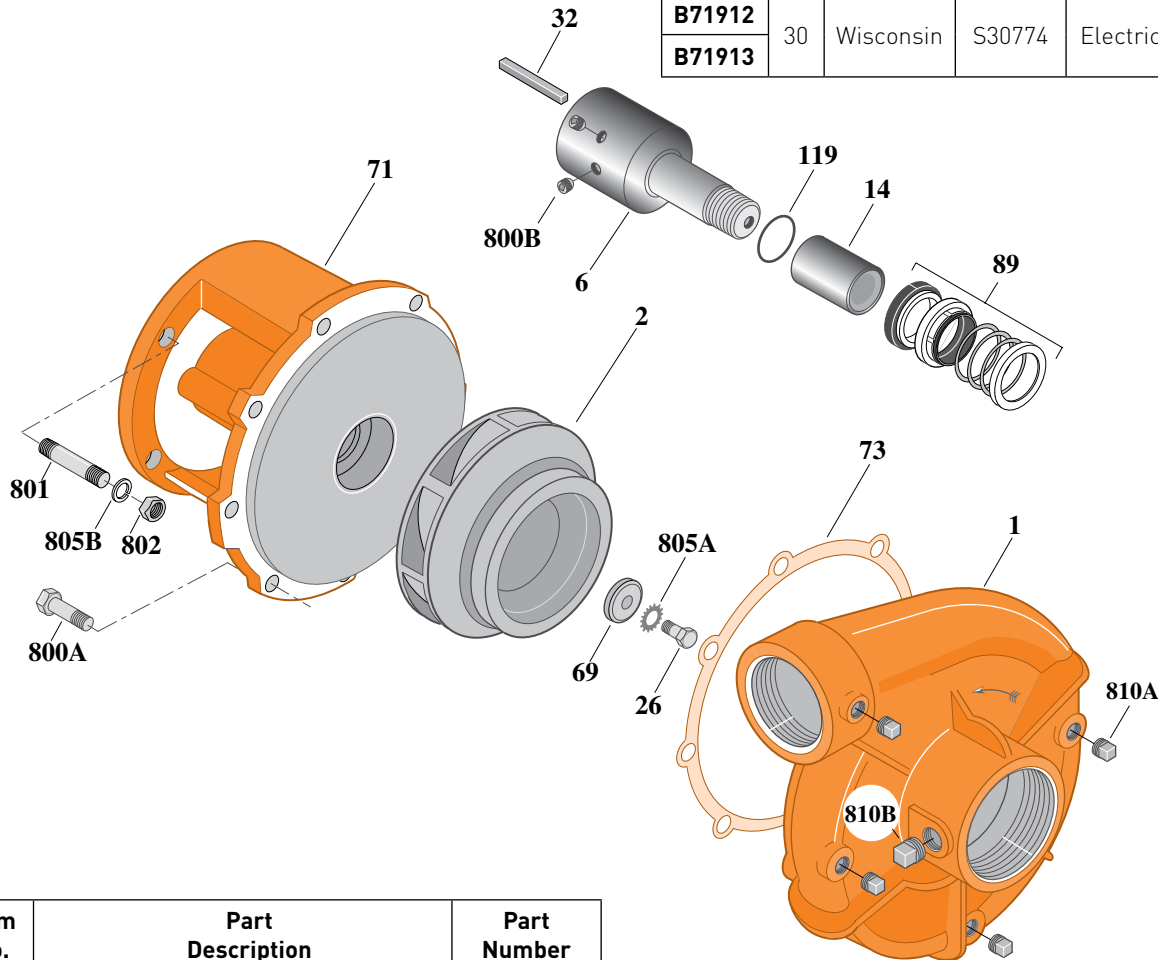
Cast Iron Impeller

Threaded Case (NPT), Mechanical Seal Construction

Section	AC
Page	150.1
Date	March 4, 2013
Supersedes 02/01/96	

Table I

B/M No.	HP	Engine Mfr.	Engine Part No.	Engine Starter	Base Part No.
B71912	30	Wisconsin	S30774	Electric	Unmounted
B71913					S37521



Item No.	Part Description	Part Number
1	Case, Volute	H00689
2	Impeller	L07644
6	Shaft, Telescope	M04274
14	Sleeve, Shaft	M10731
26	Screw, Impeller 3/8-16x1"	S23566
32	Key, 3/8x2"	S24189
69	Washer, Impeller	S06314
71	Bracket	H01079
73	Gasket, Case	S05126
89	Seal, Mechanical Shaft	S32014
119	O-Ring	M10728
800A	Capscrew, Hex 3/8-16x7/8" [8 Req.]	S26825
800B	Screw, Set [2 Req.]	S23955

Item No.	Part Description	Part Number
801	Stud, 7/16-14x2" [4 Req.]	S24004
802	Nut, Hex 7/16-14 [4 Req.]	S23105
805A	Washer, Lock	S23036
805B	Washer, Spring Lock [4 Req.]	S23077
810A	Plug, Pipe 1/4 NPT [4 Req.]	S23715
810B	Plug, Pipe 1/2 NPT	S23717

NOTE: Refer to **Supplement A** for base configuration and mounting hardware.



BERKELEY® 350-3

AIR COOLED ENGINE DRIVE SELF PRIME

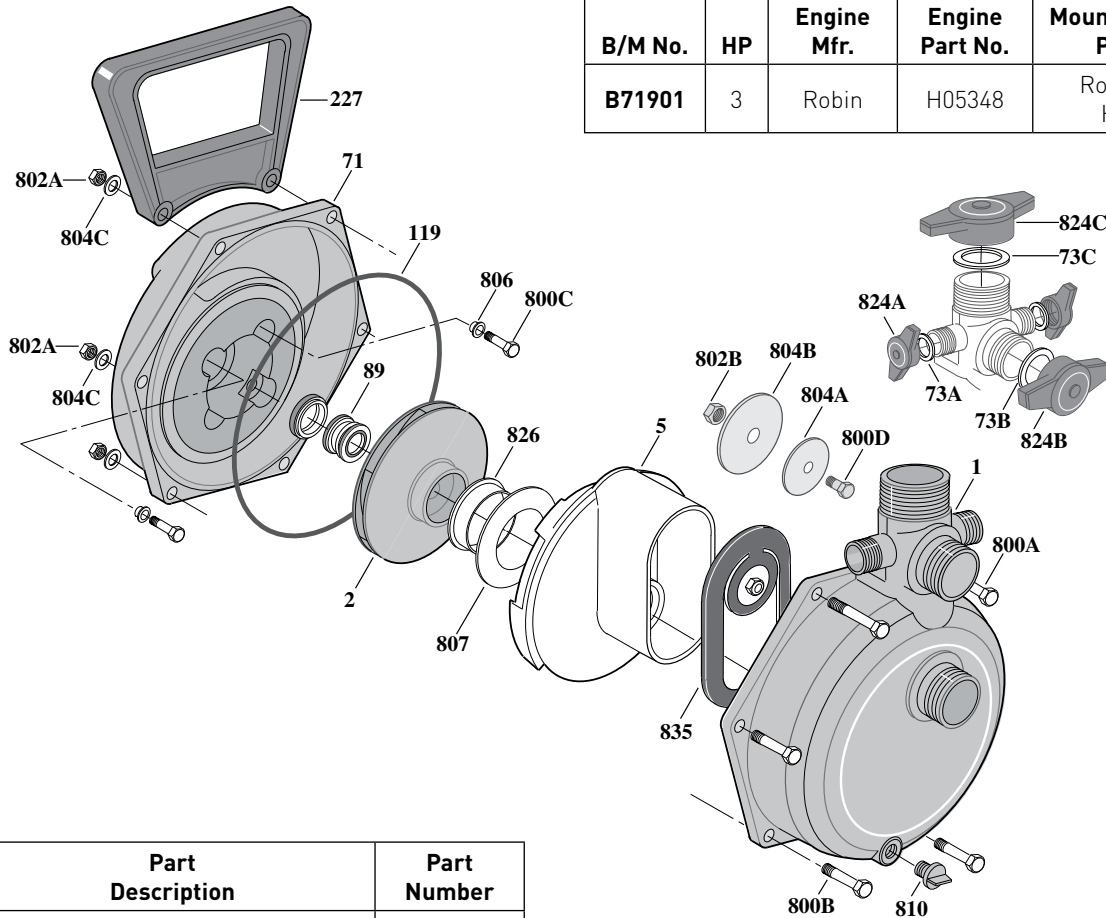
Aluminum Impeller

Threaded Case (NPT), Mechanical Seal Construction

Section	AC/SP
Page	10.1
Date	March 4, 2013
Supersedes 01/01/04	

Table I

B/M No.	HP	Engine Mfr.	Engine Part No.	Mounting Type & Part No.
B71901	3	Robin	H05348	Roll Cage - H05445



2256 0196

Item No.	Part Description	Part Number
1	Case, Volute	H05335
2	Impeller	H05349
5	Diffuser	H05352
71	Bracket	H05351
73A	Gasket, 1" (2 Req.)	M10580
73B	Gasket, 1-1/2"	M10621
73C	Gasket, 2"	M10583
89	Seal, Mechanical Shaft	S20791
119	O-Ring	M10584
227	Handle	L07629
800A	Capscrew, Hex 3/8-16x3-1/2" (2 Req.)	M10981
800B	Capscrew, Hex 3/8-16x2" (4 Req.)	S24901
800C	Capscrew, Hex 5/16-24x2" (4 Req.)	M10587
800D	Capscrew, Hex 1/4-20x1/2"	S23508
802A	Nut, Hex 3/8-16 (8 Req.)	S26456
802B	Nut, Hex 1/4-20	S26452
804A	Washer, Clack 1-1/4"	M10585

Item No.	Part Description	Part Number
804B	Washer, Clack 2-5/16"	M10586
804C	Washer, Flat 3/8" (8 Req.)	S27123
806	Seal, Capscrew (4 Req.)	M10582
807	Washer, Wearing	M10612
810	Plug, Drain	U178-920P
824A	Cap, 1" (2 Req.)	M10579
824B	Cap, 1-1/2"	M10620
824C	Cap, 2"	M10581
826	Neckring, Impeller, Floating	M10611
835	Clack, Rubber	L07630

NOTE: Refer to **Supplement B** for roll cage configuration and mounting hardware.



BERKELEY® 350-4.5

AIR COOLED ENGINE DRIVE SELF PRIME

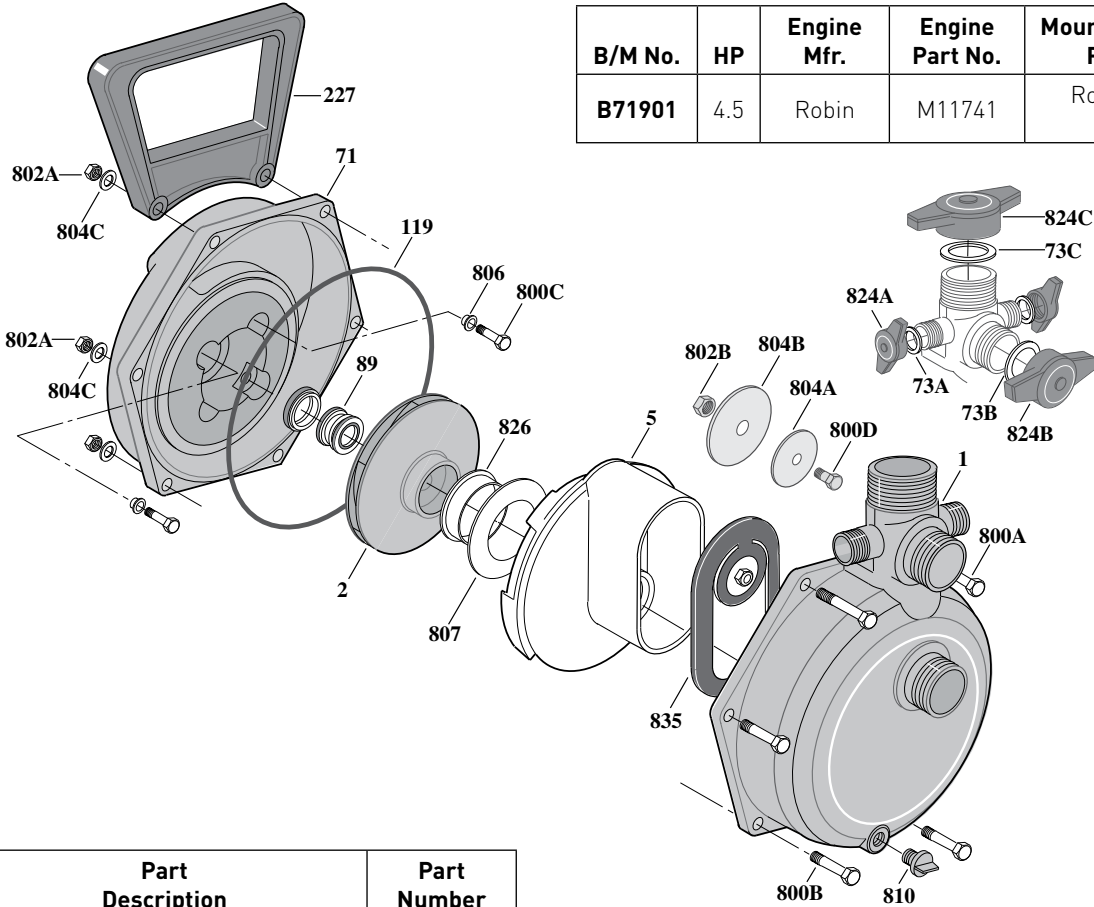
Aluminum Impeller

Threaded Case (NPT), Mechanical Seal Construction

Section	AC/SP
Page	20.1
Date	March 4, 2013
Supersedes 01/01/04	

Table I

B/M No.	HP	Engine Mfr.	Engine Part No.	Mounting Type & Part No.
B71901	4.5	Robin	M11741	Roll Cage - H05445



2256 0196

Item No.	Part Description	Part Number
1	Case, Volute	H05335
2	Impeller	H05349
5	Diffuser	H05352
71	Bracket	H05351
73A	Gasket, 1" (2 Req.)	M10580
73B	Gasket, 1-1/2"	M10621
73C	Gasket, 2"	M10583
89	Seal, Mechanical Shaft	S20791
119	O-Ring	M10584
227	Handle	L07629
800A	Capscrew, Hex 3/8-16x3-1/2" (2 Req.)	M10981
800B	Capscrew, Hex 3/8-16x2" (4 Req.)	S24901
800C	Capscrew, Hex 5/16-24x2" (4 Req.)	M10587
800D	Capscrew, Hex 1/4-20x1/2"	S23508
802A	Nut, Hex 3/8-16 (8 Req.)	S26456
802B	Nut, Hex 1/4-20	S26452
804A	Washer, Clack 1-1/4"	M10585

Item No.	Part Description	Part Number
804B	Washer, Clack 2-5/16"	M10586
804C	Washer, Flat 3/8" (8 Req.)	S27123
806	Seal, Capscrew (4 Req.)	M10582
807	Washer, Wearing	M10612
810	Plug, Drain	U178-920P
824A	Cap, 1" (2 Req.)	M10579
824B	Cap, 1-1/2"	M10620
824C	Cap, 2"	M10581
826	Neckring, Impeller, Floating	M10611
835	Clack, Rubber	L07630

NOTE: Refer to **Supplement B** for roll cage configuration and mounting hardware.



BERKELEY® 350-4

AIR COOLED ENGINE DRIVE SELF PRIME

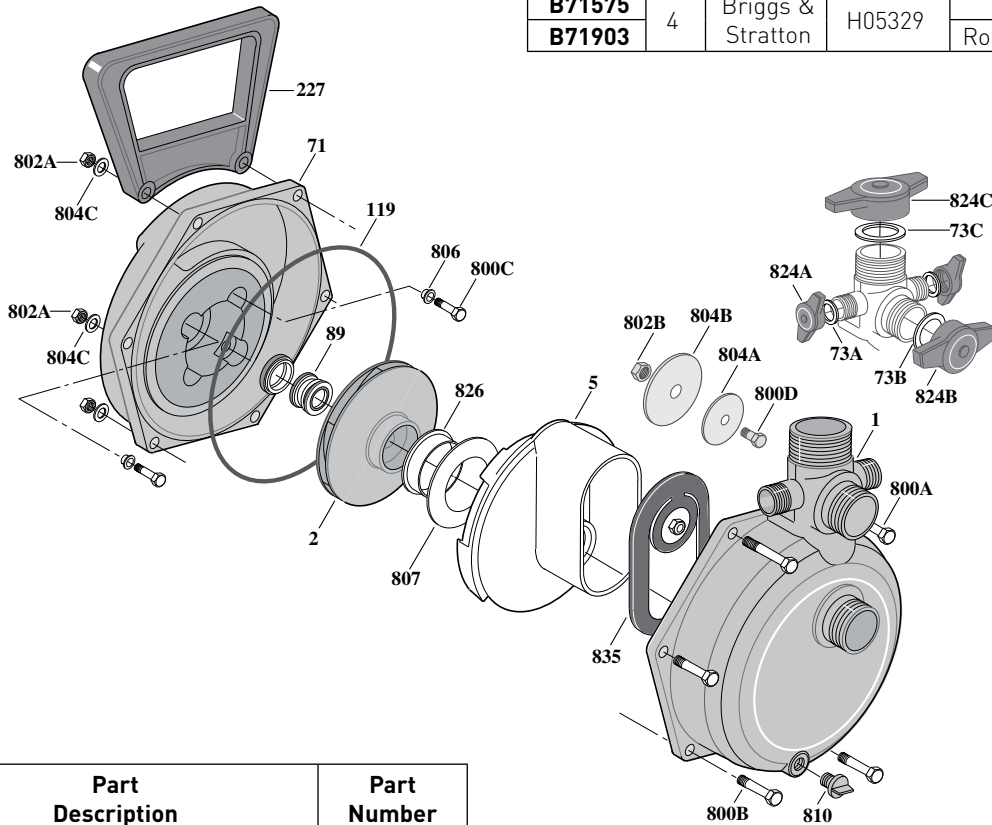
Aluminum Impeller

Threaded Case (NPT), Mechanical Seal Construction

Section	AC/SP
Page	20.2
Date	March 4, 2013
Supersedes 04/01/96	

TABLE I

B/M No.	HP	Engine Mfr.	Engine Part No.	Mounting Type & Part No.
B71575	4	Briggs & Stratton	H05329	Unmounted
B71903				Roll Cage – H05445



2256 0196

Item No.	Part Description	Part Number
1	Case, Volute	H05335
2	Impeller	H05349
5	Diffuser	H05352
71	Bracket	H05351
73A	Gasket, 1" (2 Req.)	M10580
73B	Gasket, 1-1/2"	M10621
73C	Gasket, 2"	M10583
89	Seal, Mechanical Shaft	S20791
119	O-Ring	M10584
227	Handle	L07629
800A	Capscrew, Hex 3/8-16x3-1/2" (2 Req.)	M10981
800B	Capscrew, Hex 3/8-16x2" (4 Req.)	S24901
800C	Capscrew, Hex 5/16-24x2" (4 Req.)	M10587
800D	Capscrew, Hex 1/4-20x1/2"	S23508
802A	Nut, Hex 3/8-16 (8 Req.)	S26456
802B	Nut, Hex 1/4-20	S26452
804A	Washer, Clack 1-1/4"	M10585

Item No.	Part Description	Part Number
804B	Washer, Clack 2-5/16"	M10586
804C	Washer, Flat 3/8" (8 Req.)	S27123
806	Seal, Capscrew (4 Req.)	M10582
807	Washer, Wearing	M10612
810	Plug, Drain	U178-920P
824A	Cap, 1" (2 Req.)	M10579
824B	Cap, 1-1/2"	M10620
824C	Cap, 2"	M10581
826	Neckring, Impeller, Floating	M10611
835	Clack, Rubber	L07630

NOTE: Refer to **Supplement B** for roll cage configuration and mounting hardware.



BERKELEY® 550-6

AIR COOLED ENGINE DRIVE SELF PRIME

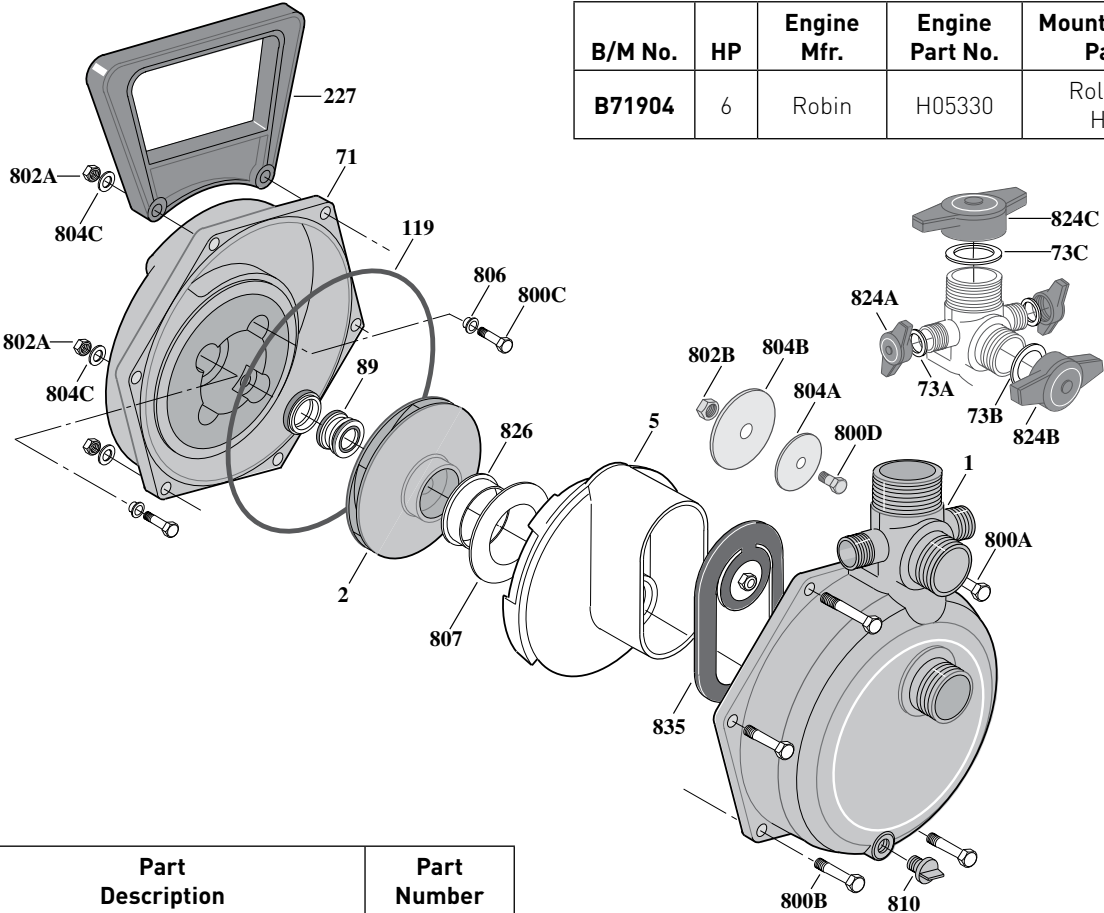
Aluminum Impeller

Threaded Case (NPT), Mechanical Seal Construction

Section	AC/SP
Page	30.1
Date	March 4, 2013
Supersedes 01/01/04	

Table I

B/M No.	HP	Engine Mfr.	Engine Part No.	Mounting Type & Part No.
B71904	6	Robin	H05330	Roll Cage - H05445



2256 0196

Item No.	Part Description	Part Number
1	Case, Volute	H05335
2	Impeller	H05350
5	Diffuser	H05352
71	Bracket	H05351
73A	Gasket, 1" (2 Req.)	M10580
73B	Gasket, 1-1/2"	M10621
73C	Gasket, 2"	M10583
89	Seal, Mechanical Shaft	S20791
119	O-Ring	M10584
227	Handle	L07629
800A	Capscrew, Hex 3/8-16x3-1/2" (2 Req.)	M10981
800B	Capscrew, Hex 3/8-16x2" (4 Req.)	S24901
800C	Capscrew, Hex 5/16-24x2" (4 Req.)	M10587
800D	Capscrew, Hex 1/4-20x1/2"	S23508
802A	Nut, Hex 3/8-16 (8 Req.)	S26456
802B	Nut, Hex 1/4-20	S26452
804A	Washer, Clack 1-1/4"	M10585

Item No.	Part Description	Part Number
804B	Washer, Clack 2-5/16"	M10586
804C	Washer, Flat 3/8" (8 Req.)	S27123
806	Seal, Capscrew (4 Req.)	M10582
807	Washer, Wearing	M10612
810	Plug, Drain	U178-920P
824A	Cap, 1" (2 Req.)	M10579
824B	Cap, 1-1/2"	M10620
824C	Cap, 2"	M10581
826	Neckring, Impeller, Floating	M10611
835	Clack, Rubber	L07630

NOTE: Refer to **Supplement B** for roll cage configuration and mounting hardware.



BERKELEY® 550-5.5

AIR COOLED ENGINE DRIVE SELF PRIME

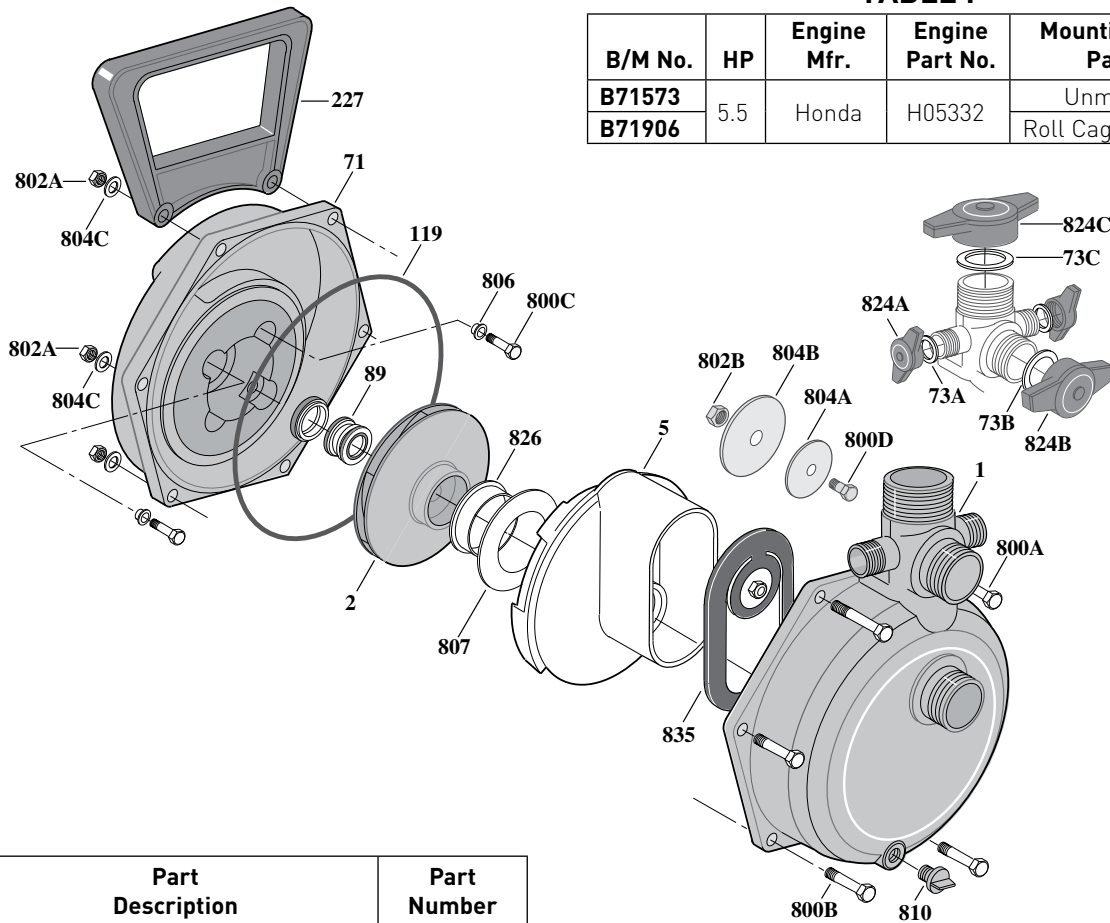
Cast Iron Impeller

Threaded Case (NPT), Mechanical Seal Construction

Section	AC/SP
Page	40.1
Date	March 4, 2013
Supersedes 04/01/96	

TABLE I

B/M No.	HP	Engine Mfr.	Engine Part No.	Mounting Type & Part No.
B71573	5.5	Honda	H05332	Unmounted
B71906				Roll Cage – H05445



2256 0196

Item No.	Part Description	Part Number
1	Case, Volute	H05335
2	Impeller	H05350
5	Diffuser	H05352
71	Bracket	H05351
73A	Gasket, 1" [2 Req.]	M10580
73B	Gasket, 1-1/2"	M10621
73C	Gasket, 2"	M10583
89	Seal, Mechanical Shaft	S20791
119	O-Ring	M10584
227	Handle	L07629
800A	Capscrew, Hex 3/8-16x3-1/2" [2 Req.]	M10981
800B	Capscrew, Hex 3/8-16x2" [4 Req.]	S24901
800C	Capscrew, Hex 5/16-24x2" [4 Req.]	M10587
800D	Capscrew, Hex 1/4-20x1/2"	S23508
802A	Nut, Hex 3/8-16 [8 Req.]	S26456
802B	Nut, Hex 1/4-20	S26452
804A	Washer, Clack 1-1/4"	M10585

Item No.	Part Description	Part Number
804B	Washer, Clack 2-5/16"	M10586
804C	Washer, Flat 3/8" [8 Req.]	S27123
806	Seal, Capscrew [4 Req.]	M10582
807	Washer, Wearing	M10612
810	Plug, Drain	U178-920P
824A	Cap, 1" [2 Req.]	M10579
824B	Cap, 1-1/2"	M10620
824C	Cap, 2"	M10581
826	Neckring, Impeller, Floating	M10611
835	Clack, Rubber	L07630

NOTE: Refer to **Supplement B** for roll cage configuration and mounting hardware.



BERKELEY® 550-5.5

AIR COOLED ENGINE DRIVE SELF PRIME

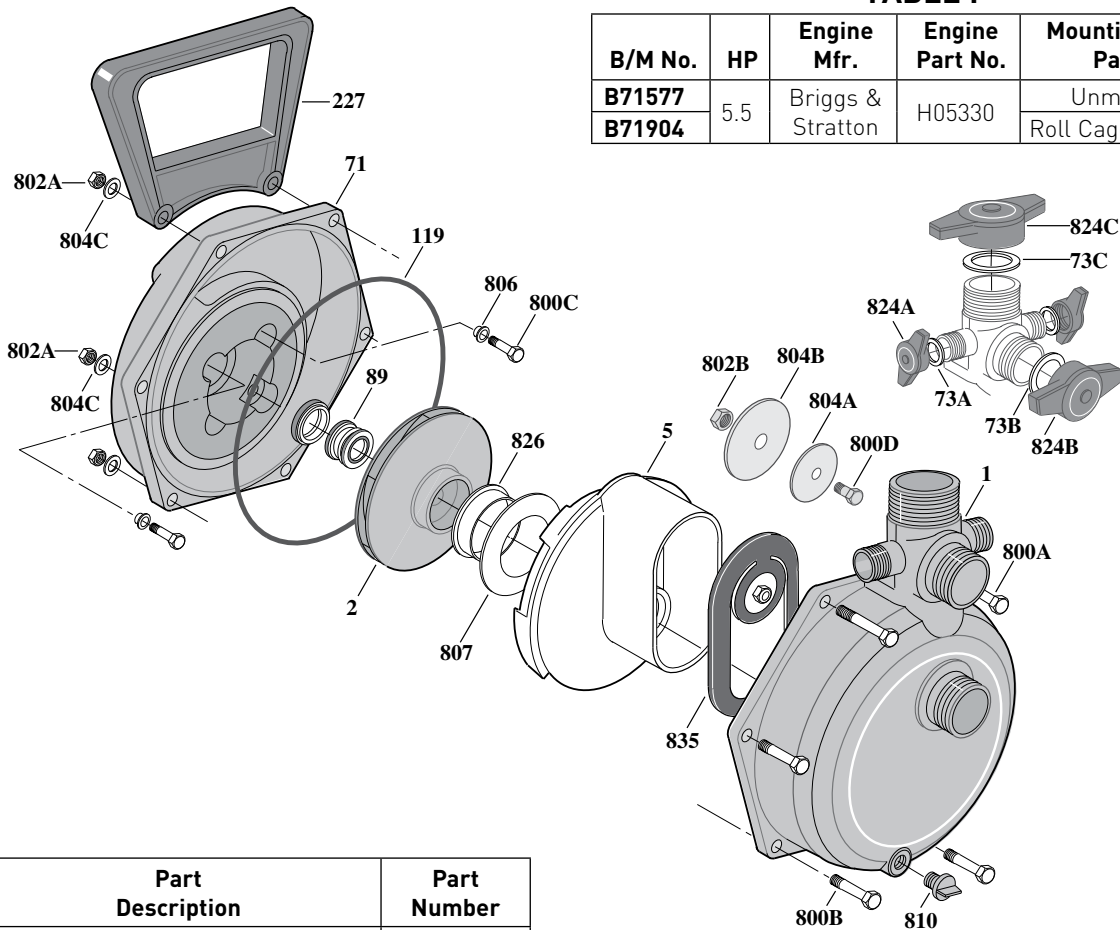
Cast Iron Impeller

Threaded Case (NPT), Mechanical Seal Construction

Section	AC/SP
Page	40.2
Date	March 4, 2013
Supersedes 04/01/96	

TABLE I

B/M No.	HP	Engine Mfr.	Engine Part No.	Mounting Type & Part No.
B71577	5.5	Briggs & Stratton	H05330	Unmounted
B71904				Roll Cage - H05445



2256 0196

Item No.	Part Description	Part Number
1	Case, Volute	H05335
2	Impeller	H05350
5	Diffuser	H05352
71	Bracket	H05351
73A	Gasket, 1" (2 Req.)	M10580
73B	Gasket, 1-1/2"	M10621
73C	Gasket, 2"	M10583
89	Seal, Mechanical Shaft	S20791
119	O-Ring	M10584
227	Handle	L07629
800A	Capscrew, Hex 3/8-16x3-1/2" (2 Req.)	M10981
800B	Capscrew, Hex 3/8-16x2" (4 Req.)	S24901
800C	Capscrew, Hex 5/16-24x2" (4 Req.)	M10587
800D	Capscrew, Hex 1/4-20x1/2"	S23508
802A	Nut, Hex 3/8-16 (8 Req.)	S26456
802B	Nut, Hex 1/4-20	S26452
804A	Washer, Clack 1-1/4"	M10585

Item No.	Part Description	Part Number
804B	Washer, Clack 2-5/16"	M10586
804C	Washer, Flat 3/8" (8 Req.)	S27123
806	Seal, Capscrew (4 Req.)	M10582
807	Washer, Wearing	M10612
810	Plug, Drain	U178-920P
824A	Cap, 1" (2 Req.)	M10579
824B	Cap, 1-1/2"	M10620
824C	Cap, 2"	M10581
826	Neckring, Impeller, Floating	M10611
835	Clack, Rubber	L07630

NOTE: Refer to **Supplement B** for roll cage configuration and mounting hardware.



BERKELEY® 2XQKLS-3 AIR COOLED ENGINE DRIVE SELF PRIME

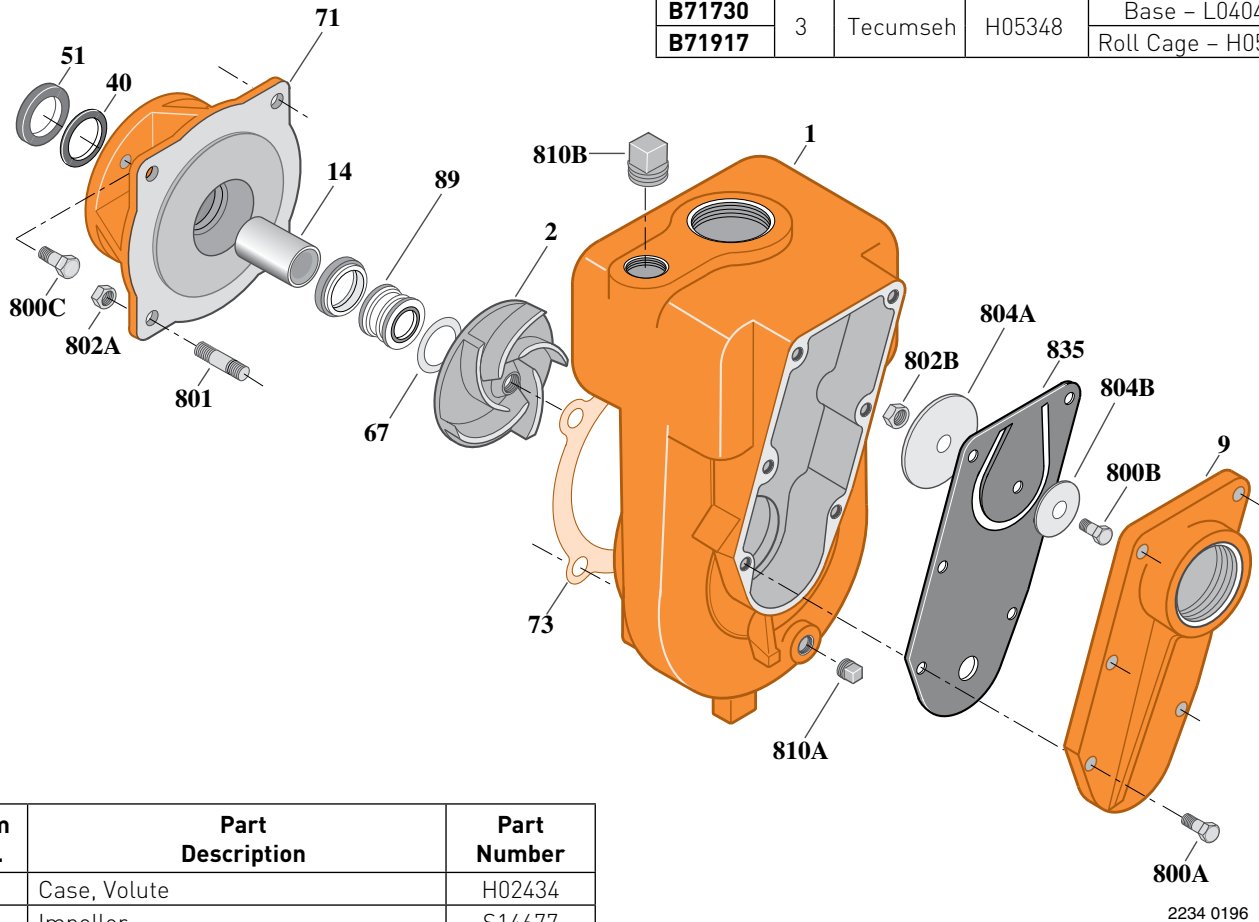
Cast Iron Impeller

Threaded Case (NPT), Mechanical Seal Construction

Section	AC/SP
Page	50.1
Date	March 4, 2013
Supersedes 04/01/96	

TABLE I

B/M No.	HP	Engine Mfr.	Engine Part No.	Mounting Type & Part No.
B71730	3	Tecumseh	H05348	Base - L04044
B71917				Roll Cage - H05445



Item No.	Part Description	Part Number
1	Case, Volute	H02434
2	Impeller	S14677
9	Cover, Suction	M05420
14	Sleeve, Shaft	S14689
40	Slinger, Water	S11144
51	Seal, Oil	S13862
67	Shim [.015 Thick] (As Required)	S05067
71	Bracket	M05434
73	Gasket, Case	S04728
89	Seal, Mechanical Shaft	S05646
•227	Handle	M06914
800A	Capscrew, Hex 5/16-18x7/8" [6 Req.]	S26783
800B	Capscrew, Hex 1/4-20x3/8"	S23117
800C	Capscrew, Hex 5/16-24x3/4" [4 Req.]	S23168

Item No.	Part Description	Part Number
801	Stud, 3/8-16x1-1/4" [4 Req.]	S23994
802A	Nut, Hex 3/8-16 [4 Req.]	S23103
802B	Nut, Hex 1/4-20	S23100
804A	Weight, Clack	S14673
804B	Washer, Clack	S14676
810A	Plug, Pipe 1/4" NPT	S14692
810B	Plug, Pipe 1" NPT	S23693
835	Clack, Rubber	M05424

• Not illustrated.

NOTE: Refer to **Supplement B** for base and roll cage configuration and mounting hardware.



BERKELEY® B2XQKLS-4.5 AIR COOLED ENGINE DRIVE SELF PRIME

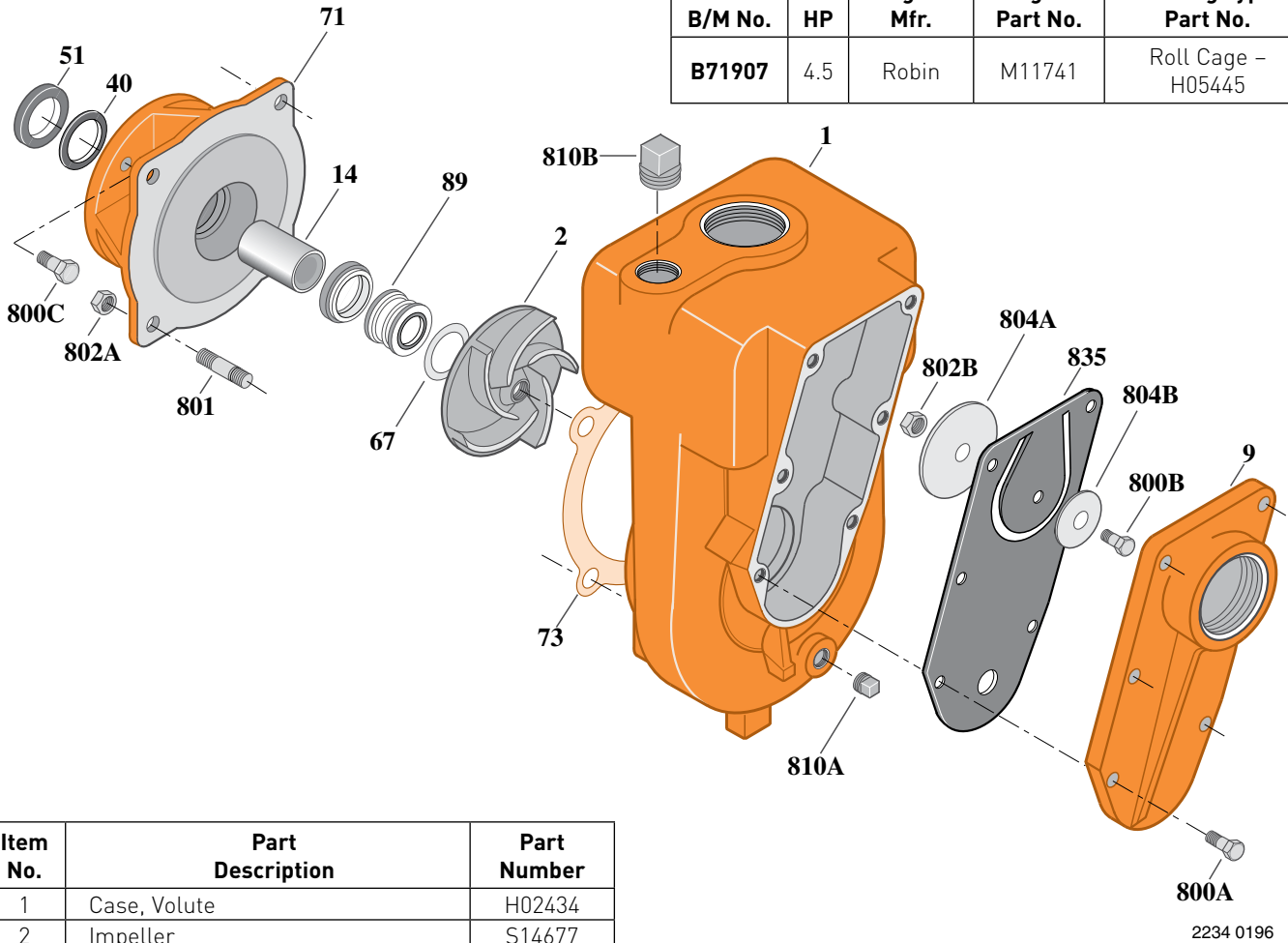
Cast Iron Impeller

Threaded Case (NPT), Mechanical Seal Construction

Section	AC/SP
Page	60.1
Date	March 4, 2013
Supersedes 01/01/04	

Table I

B/M No.	HP	Engine Mfr.	Engine Part No.	Mounting Type & Part No.
B71907	4.5	Robin	M11741	Roll Cage - H05445



Item No.	Part Description	Part Number
1	Case, Volute	H02434
2	Impeller	S14677
9	Cover, Suction	M05420
14	Sleeve, Shaft	S14689
40	Slinger, Water	S11144
51	Seal, Oil	S13862
67	Shim [.015 Thick] (As Required)	S05067
71	Bracket	M05434
73	Gasket, Case	S04728
89	Seal, Mechanical Shaft	S05646
•227	Handle	M06914
800A	Capscrew, Hex 5/16-18x7/8" [6 Req.]	S26783
800B	Capscrew, Hex 1/4-20x3/8"	S23117
800C	Capscrew, Hex 5/16-24x3/4" [4 Req.]	S23168

Item No.	Part Description	Part Number
801	Stud, 3/8-16x1-1/4" [4 Req.]	S23994
802A	Nut, Hex 3/8-16 [4 Req.]	S23103
802B	Nut, Hex 1/4-20	S23100
804A	Weight, Clack	S14673
804B	Washer, Clack	S14676
810A	Plug, Pipe 1/4" NPT	S14692
810B	Plug, Pipe 1" NPT	S23693
835	Clack, Rubber	M05424

• Not illustrated.

NOTE: Refer to **Supplement B** for base and roll cage configuration and mounting hardware.



BERKELEY® B2XQKHS-6

AIR COOLED ENGINE DRIVE SELF PRIME

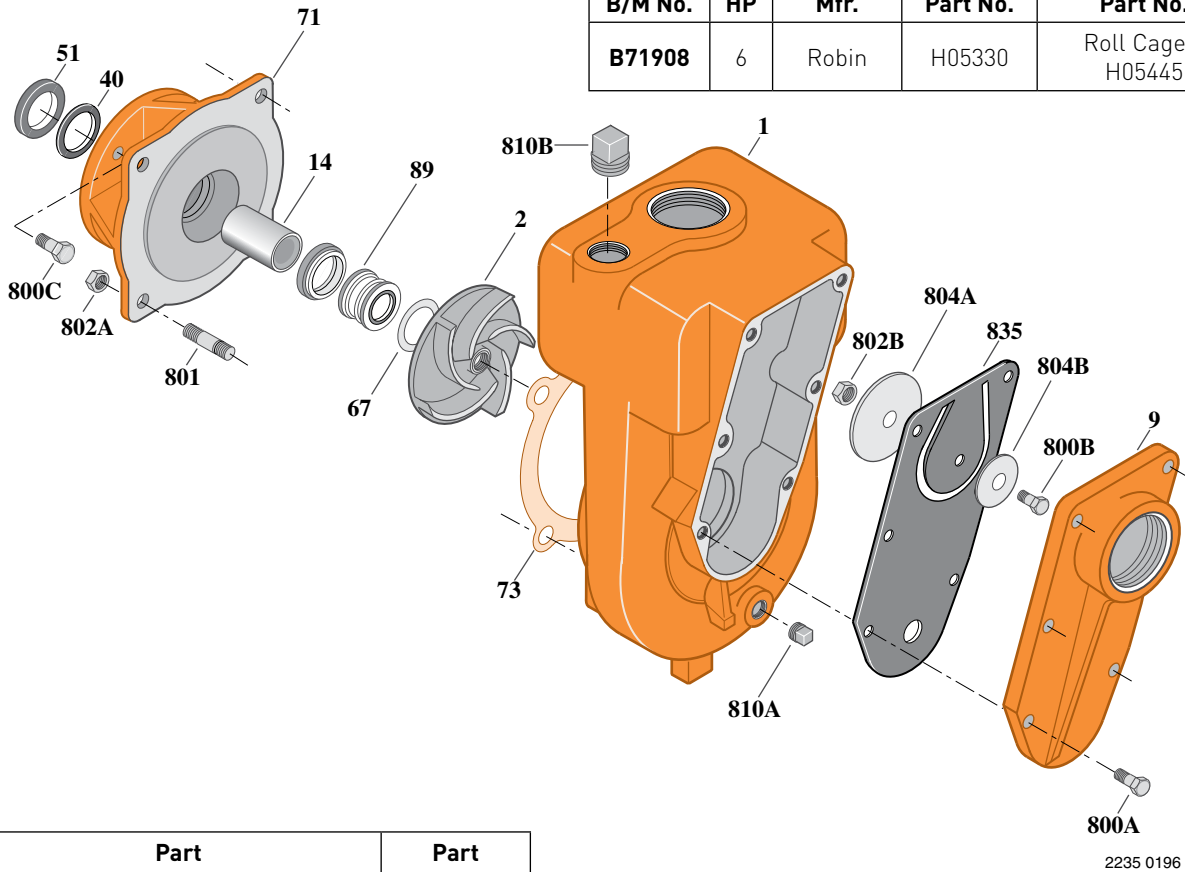
Cast Iron Impeller

Threaded Case (NPT), Mechanical Seal Construction

Section	AC/SP
Page	70.1
Date	March 4, 2013
Supersedes 01/01/04	

Table I

B/M No.	HP	Engine Mfr.	Engine Part No.	Mounting Type & Part No.
B71908	6	Robin	H05330	Roll Cage - H05445



Item No.	Part Description	Part Number
1	Case, Volute	H02434
2	Impeller	S14750
9	Cover, Suction	M05420
14	Sleeve, Shaft	S14689
40	Slinger, Water	S11144
51	Seal, Oil	S13862
67	Shim (.015 Thick) (As Required)	S05067
71	Bracket	M05434
73	Gasket, Case	S04728
89	Seal, Mechanical Shaft	S05646
•227	Handle	M06914
800A	Capscrew, Hex 5/16-18x7/8" [6 Req.]	S26783
800B	Capscrew, Hex 1/4-20x3/8"	S23117
800C	Capscrew, Hex 5/16-24x3/4" [4 Req.]	S23168

Item No.	Part Description	Part Number
801	Stud, 3/8-16x1-1/4" [4 Req.]	S23994
802A	Nut, Hex 3/8-16 [4 Req.]	S23103
802B	Nut, Hex 1/4-20	S23100
804A	Weight, Clack	S14673
804B	Washer, Clack	S14676
810A	Plug, Pipe 1/4" NPT	S14692
810B	Plug, Pipe 1" NPT	S23693
835	Clack, Rubber	M05424

• Not illustrated.

NOTE: Refer to **Supplement B** for base and roll cage configuration and mounting hardware.



BERKELEY® B2XQKHS-5.5 AIR COOLED ENGINE DRIVE SELF PRIME

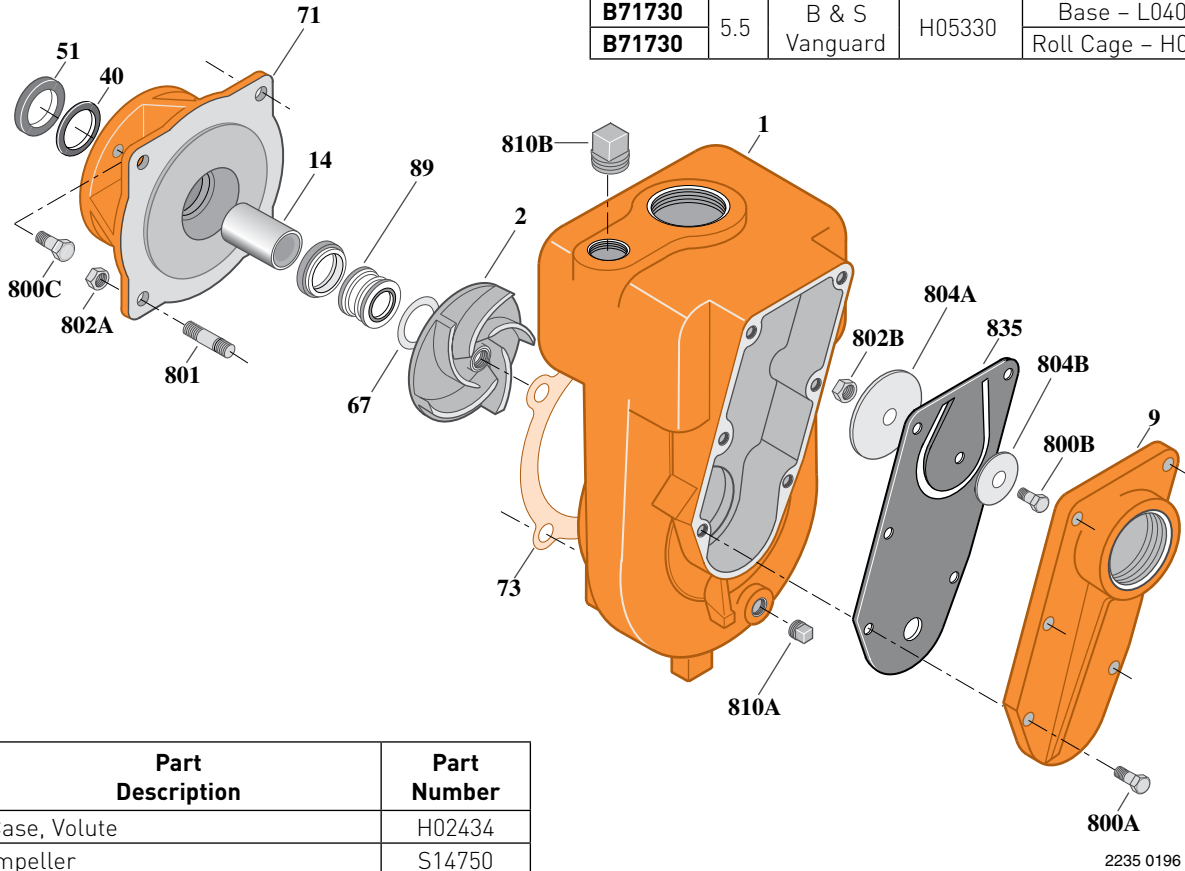
Cast Iron Impeller

Threaded Case (NPT), Mechanical Seal Construction

Section	AC/SP
Page	80.1
Date	March 4, 2013
Supersedes 04/01/96	

TABLE I

B/M No.	HP	Engine Mfr.	Engine Part No.	Mounting Type & Part No.
B71730	5.5	Honda	H05332	Base - L04044
B71917				Roll Cage - H05445
B71730	5.5	B & S Vanguard	H05330	Base - L04044
B71730				Roll Cage - H05445



Item No.	Part Description	Part Number
1	Case, Volute	H02434
2	Impeller	S14750
9	Cover, Suction	M05420
14	Sleeve, Shaft	S14689
40	Slinger, Water	S11144
51	Seal, Oil	S13862
67	Shim (.015 Thick) (As Required)	S05067
71	Bracket	M05434
73	Gasket, Case	S04728
89	Seal, Mechanical Shaft	S05646
•227	Handle	M06914
800A	Capscrew, Hex 5/16-18x7/8" [6 Req.]	S26783
800B	Capscrew, Hex 1/4-20x3/8"	S23117
800C	Capscrew, Hex 5/16-24x3/4" [4 Req.]	S23168

Item No.	Part Description	Part Number
801	Stud, 3/8-16x1-1/4" [4 Req.]	S23994
802A	Nut, Hex 3/8-16 [4 Req.]	S23103
802B	Nut, Hex 1/4-20	S23100
804A	Weight, Clack	S14673
804B	Washer, Clack	S14676
810A	Plug, Pipe 1/4" NPT	S14692
810B	Plug, Pipe 1" NPT	S23693
835	Clack, Rubber	M05424

• Not illustrated.

NOTE: Refer to **Supplement B** for base and roll cage configuration and mounting hardware.



BERKELEY® B3TQKLS-8

AIR COOLED ENGINE DRIVE SELF PRIME

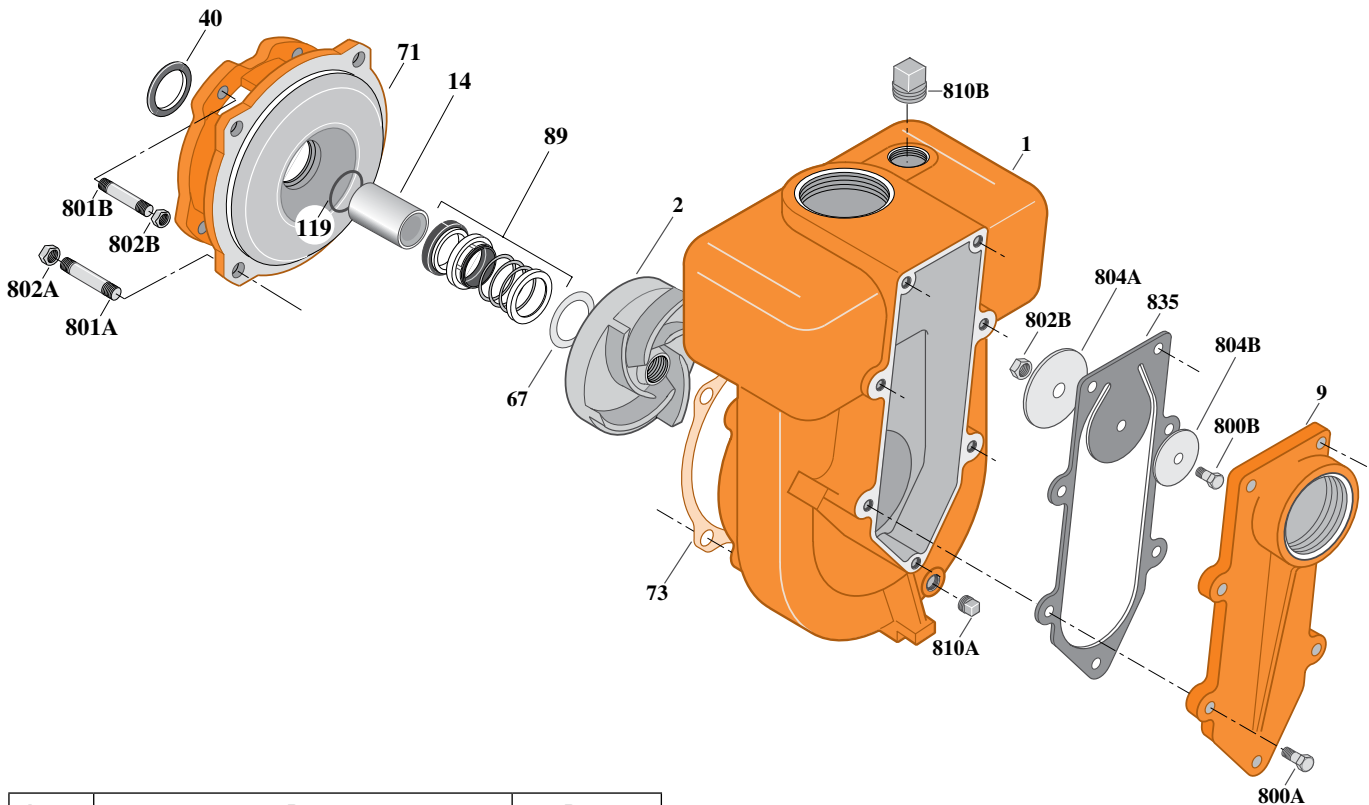
Cast Iron Impeller

Threaded Case (NPT), Mechanical Seal Construction

Section	AC/SP
Page	90.1
Date	March 4, 2013
Supersedes 04/01/96	

Table I

B/M No.	HP	Engine Mfr.	Engine Part No.	Mounting Type & Part No.
B60773	8	Briggs & Stratton	S30691	Base - S37505



2250 0196

Item No.	Part Description	Part Number
1	Case, Volute	H03741
2	Impeller	M07241
9	Cover, Suction	L05748
14	Sleeve, Shaft	M10731
40	Slinger, Water	S03893
67	Shim (.015 Thick) (As Required)	S05067
71	Bracket	L01600
73	Gasket, Case (.031 Thick)	S04757
73	Gasket, Case (.051 Thick)	S15049
89	Seal, Mechanical Shaft	S32014
119	O-Ring	M10728
800A	Capscrew, Hex 3/8-16x1-1/4" (7 Req.)	S26828
800B	Capscrew, Hex 3/8-16x3/4"	S26824
801A	Stud, 1/2-13x1-1/2" (4 Req.)	S24043

Item No.	Part Description	Part Number
801B	Stud, 3/8-16x1-1/2" (4 Req.)	S23995
802A	Nut, Hex 1/2-13 (4 Req.)	S23107
802B	Nut, Hex 3/8-16	S23103
804A	Weight, Clack	S15325
804B	Washer, Clack	S14843
810A	Plug, Pipe 1/4" NPT	S23715
810B	Plug, Pipe 1-1/4" NPT	S23694
835	Clack, Rubber	L05749

NOTE: Refer to **Supplement A** for base configuration and mounting hardware.



BERKELEY® B3TQKLS-9

AIR COOLED ENGINE DRIVE SELF PRIME

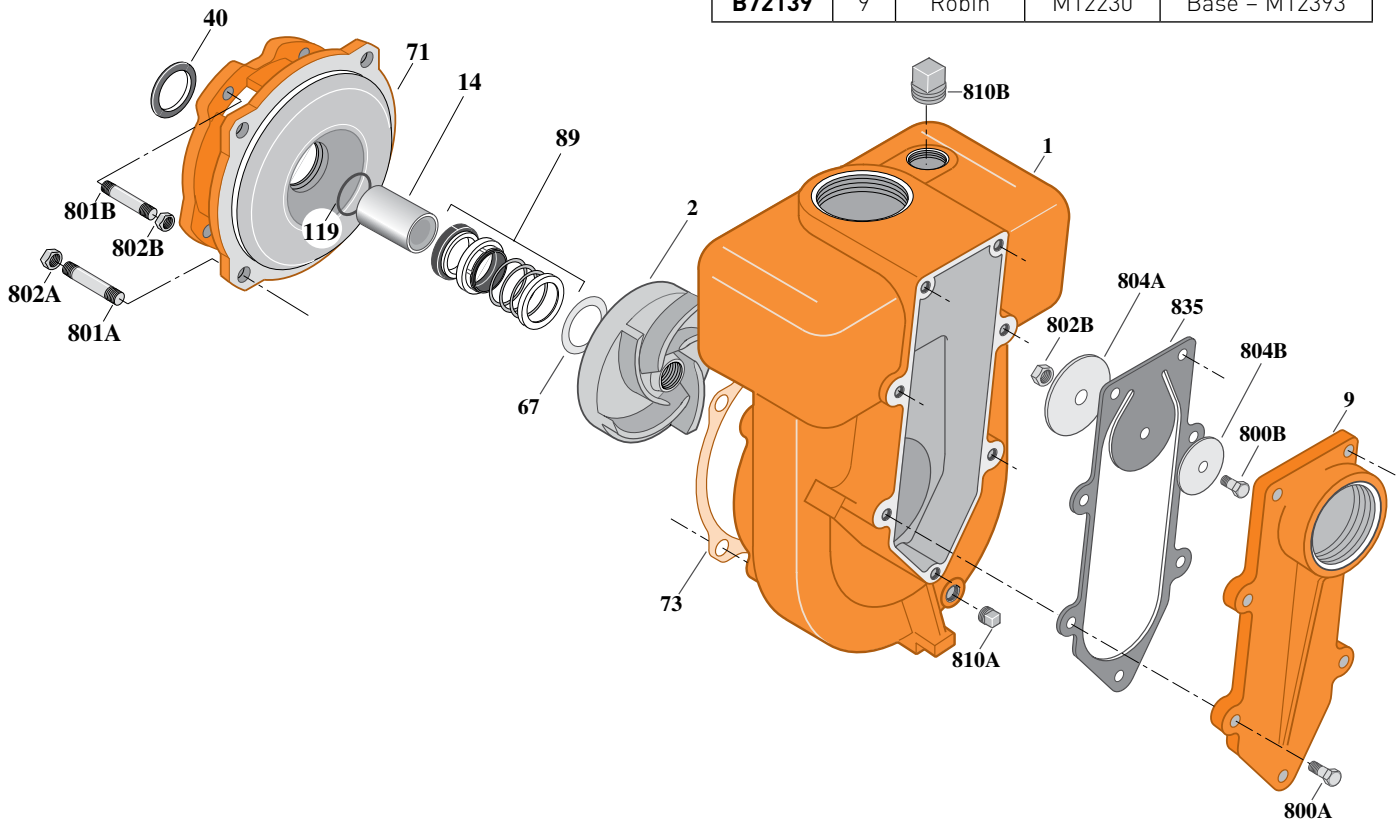
Cast Iron Impeller

Threaded Case (NPT), Mechanical Seal Construction

Section	AC/SP
Page	100.1
Date	March 4, 2013
Supersedes 01/01/04	

Table I

B/M No.	HP	Engine Mfr.	Engine Part No.	Mounting Type & Part No.
B72139	9	Robin	M12230	Base - M12393



Item No.	Part Description	Part Number
1	Case, Volute	H03741
2	Impeller	M10732
9	Cover, Suction	L05748
14	Sleeve, Shaft	M10731
40	Slinger, Water	S03893
67	Shim (.015 Thick) (As Required)	S15335
71	Bracket	L01600
73	Gasket, Case (.031 Thick)	S04757
73	Gasket, Case (.051 Thick)	S15049
89	Seal, Mechanical Shaft	S32014
119	O-Ring	M10728
800A	Capscrew, Hex 3/8-16x1-1/4" (7 Req.)	S26828
800B	Capscrew, Hex 3/8-16x3/4"	S26824
801A	Stud, 1/2-13x1-1/2" (4 Req.)	S24043

Item No.	Part Description	Part Number
801B	Stud, 3/8-16x1-1/2" (4 Req.)	S23995
802A	Nut, Hex 1/2-13 (4 Req.)	S23107
802B	Nut, Hex 3/8-16 (5 Req.)	S23103
804A	Weight, Clack	S15325
804B	Washer, Clack	S14843
810A	Plug, Pipe 1/4" NPT	S23715
810B	Plug, Pipe 1-1/4" NPT	S23694
835	Clack, Rubber	L05749

NOTE: Refer to **Supplement A** for base configuration and mounting hardware.



BERKELEY® B3TQKLS-11 AIR COOLED ENGINE DRIVE SELF PRIME

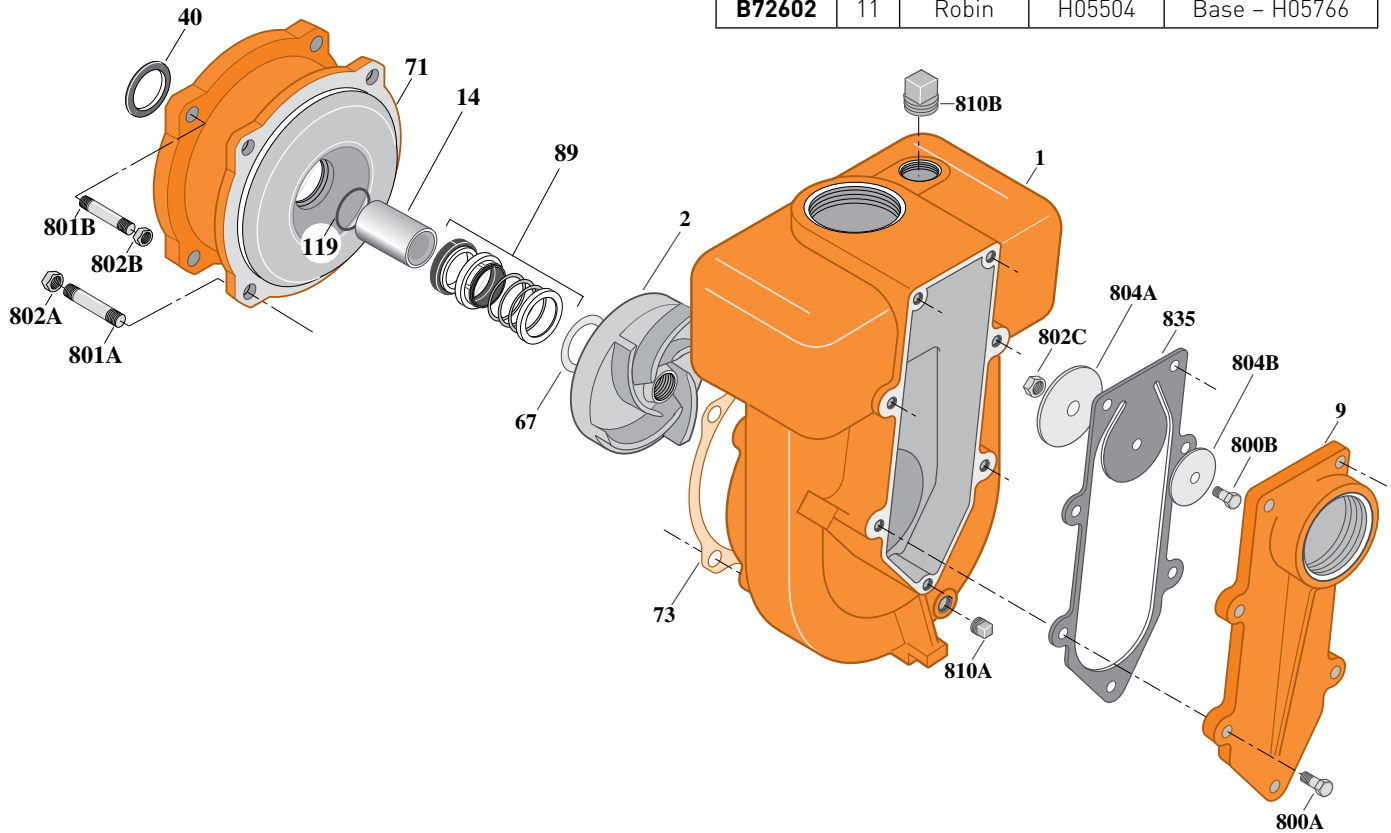
Cast Iron Impeller

Threaded Case (NPT), Mechanical Seal Construction

Section	AC/SP
Page	110.1
Date	March 4, 2013
Supersedes 01/01/04	

Table I

B/M No.	HP	Engine Mfr.	Engine Part No.	Mounting Type & Part No.
B72602	11	Robin	H05504	Base - H05766



Item No.	Part Description	Part Number
1	Case, Volute	H03741
2	Impeller	M10732
9	Cover, Suction	L05748
14	Sleeve, Shaft	M10731
40	Slinger, Water	S03893
67	Shim (.015 Thick) (As Required)	S15335
71	Bracket	L01600
73	Gasket, Case (.031 Thick)	S04757
73	Gasket, Case (.051 Thick)	S15049
89	Seal, Mechanical Shaft	S32014
119	O-Ring	M10728
800A	Capscrew, Hex 3/8-16x1-1/4" [7 Req.]	S26828
800B	Capscrew, Hex 3/8-16x3/4"	S26824
801A	Stud, 1/2-13x1-1/2" [4 Req.]	S24043

Item No.	Part Description	Part Number
801B	Stud, 3/8-16x1-1/2" [4 Req.]	S23995
802A	Nut, Hex 1/2-13 [4 Req.]	S23107
802B	Nut, Hex 3/8-16 [5 Req.]	S23103
804A	Weight, Clack	S15325
804B	Washer, Clack	S14843
810A	Plug, Pipe 1/4" NPT	S23715
810B	Plug, Pipe 1-1/4" NPT	S23694
835	Clack, Rubber	L05749

NOTE: Refer to **Supplement A** for base configuration and mounting hardware.



BERKELEY® B3TQKLS-10 AIR COOLED ENGINE DRIVE SELF PRIME

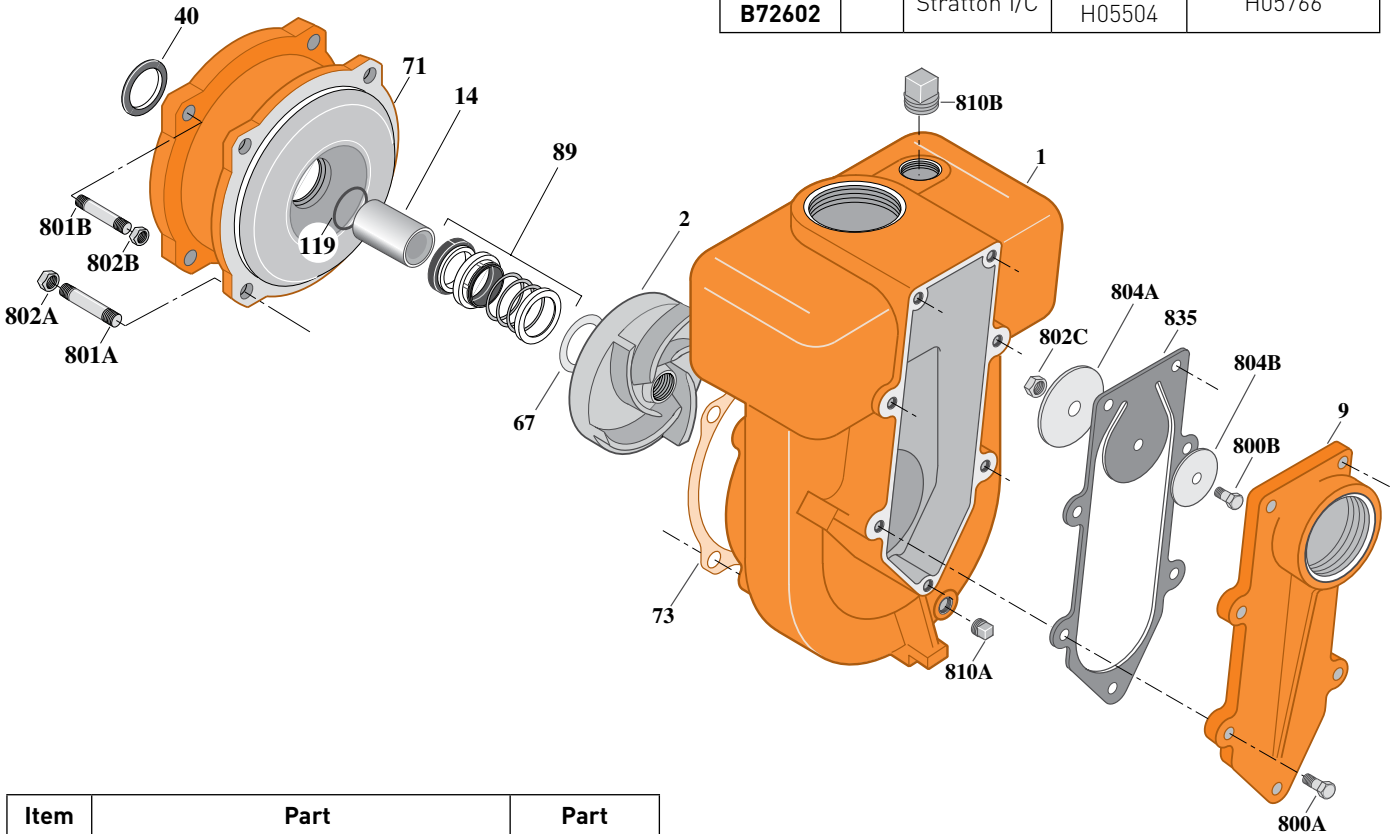
Silicon Bronze Impeller

Threaded Case (NPT), Mechanical Seal Construction

Section	AC/SP
Page	110.3
Date	March 4, 2013
Supersedes 01/01/04	

Table I

B/M No.	HP	Engine Mfr.	Engine Part No.	Mounting Type & Part No.
B72601	10	Briggs & Stratton I/C	H05503	Base H05766
B72602			H05504	



2251 0196

Item No.	Part Description	Part Number
1	Case, Volute	H03741
2	Impeller	M10835
9	Cover, Suction	L05748
14	Sleeve, Shaft	M10731
40	Slinger, Water	S03893
67	Shim (.015 Thick) (As Required)	S15335
71	Bracket	L01600
73	Gasket, Case (.031 Thick)	S04757
73	Gasket, Case (.051 Thick)	S15049
89	Seal, Mechanical Shaft	S32014
119	O-Ring	M10728
800A	Capscrew, Hex 3/8-16x1-1/4" [7 Req.]	S26828
800B	Capscrew, Hex 3/8-16x3/4"	S26824
801A	Stud, 1/2-13x1-1/2" [4 Req.]	S24043
801B	Stud, 7/16-14x2" [4 Req.]	S24004

Item No.	Part Description	Part Number
802A	Nut, Hex 1/2-13 [4 Req.]	S23107
802B	Nut, Hex 7/16-14 [4 Req.]	S23105
802C	Nut, Hex 3/8-16	S23103
804A	Weight, Clack	S15325
804B	Washer, Clack	S14843
810A	Plug, Pipe 1/4" NPT	S23715
810B	Plug, Pipe 1-1/4" NPT	S23694
835	Clack, Rubber	L05749

NOTE: Refer to **Supplement A** for base configuration and mounting hardware.



BERKELEY® B3TQKLS-10 AIR COOLED ENGINE DRIVE SELF PRIME

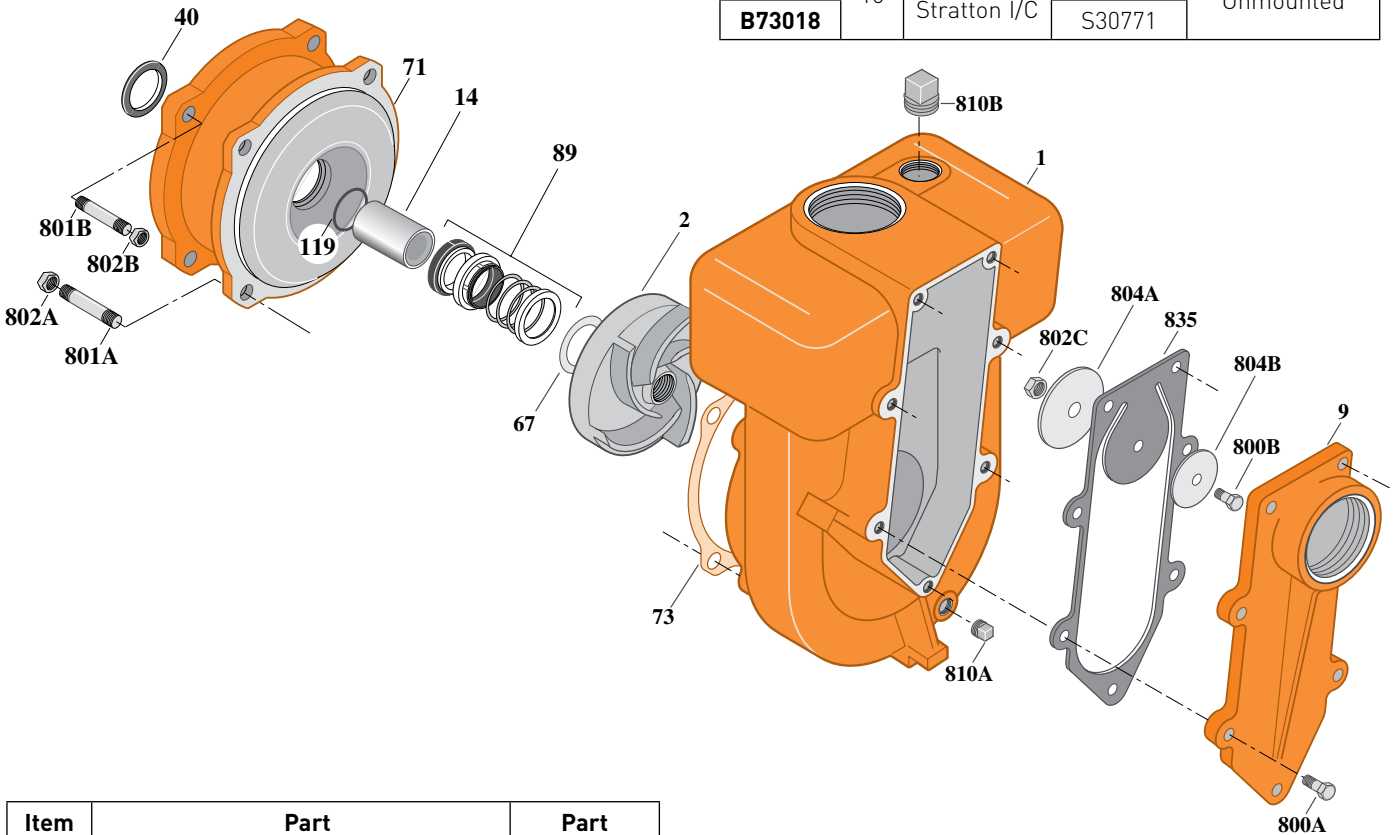
Silicon Bronze Impeller

Threaded Case (NPT), Mechanical Seal Construction

Section	AC/SP
Page	110.4
Date	March 4, 2013
Supersedes 01/01/04	

Table I

B/M No.	HP	Engine Mfr.	Engine Part No.	Mounting Type & Part No.
B73017	10	Briggs & Stratton I/C	H05503	Unmounted
B73018			S30771	



2251 0196

Item No.	Part Description	Part Number
1	Case, Volute	H03741
2	Impeller	M10835
9	Cover, Suction	L05748
14	Sleeve, Shaft	M10731
40	Slinger, Water	S03893
67	Shim (.015 Thick) (As Required)	S15335
71	Bracket	L01600
73	Gasket, Case (.031 Thick)	S04757
73	Gasket, Case (.051 Thick)	S15049
89	Seal, Mechanical Shaft	S32014
119	O-Ring	M10728
800A	Capscrew, Hex 3/8-16x1-1/4" [7 Req.]	S26828
800B	Capscrew, Hex 3/8-16x3/4"	S26824
801A	Stud, 1/2-13x1-1/2" [4 Req.]	S24043
801B	Stud, 7/16-14x2" [4 Req.]	S24004

Item No.	Part Description	Part Number
802A	Nut, Hex 1/2-13 [4 Req.]	S23107
802B	Nut, Hex 7/16-14 [4 Req.]	S23105
802C	Nut, Hex 3/8-16	S23103
804A	Weight, Clack	S15325
804B	Washer, Clack	S14843
810A	Plug, Pipe 1/4" NPT	S23715
810B	Plug, Pipe 1-1/4" NPT	S23694
835	Clack, Rubber	L05749

NOTE: Refer to **Supplement A** for base configuration and mounting hardware.



BERKELEY® B3TQKHS-14 AIR COOLED ENGINE DRIVE SELF PRIME

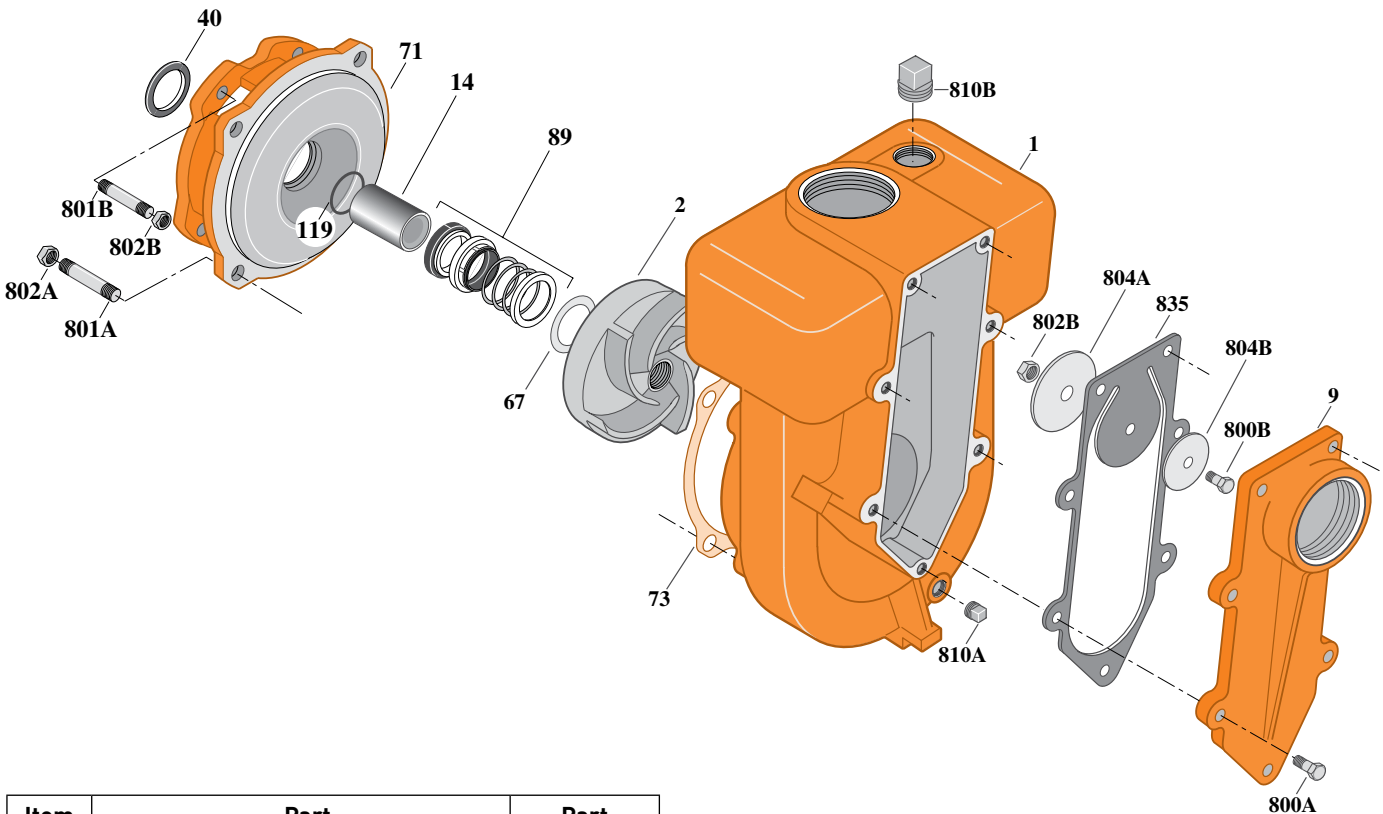
Cast Iron Impeller

Threaded Case (NPT), Mechanical Seal Construction

Section	AC/SP
Page	120.1
Date	March 4, 2013
Supersedes 01/01/04	

Table I

B/M No.	HP	Engine Mfr.	Engine Part No.	Mounting Type & Part No.
B71543	14	Robin	H05167	Base - H05248



2252 0196

Item No.	Part Description	Part Number
1	Case, Volute	H03741
2	Impeller	M10497
9	Cover, Suction	L05748
14	Sleeve, Shaft	M10731
40	Slinger, Water	S03893
67	Shim (.015 Thick) (As Required)	S15335
71	Bracket	H05263
73	Gasket, Case (.031 Thick)	S04757
73	Gasket, Case (.051 Thick)	S15049
89	Seal, Mechanical Shaft	S32014
119	O-Ring	M10728
800A	Capscrew, Hex 3/8-16x1-1/4" [7 Req.]	S26828
800B	Capscrew, Hex 3/8-16x3/4"	S26824
801A	Stud, 1/2-13x1-1/2" [4 Req.]	S24043

Item No.	Part Description	Part Number
801B	Stud, 3/8-16x1-1/2" [4 Req.]	S23995
802A	Nut, Hex 1/2-13 [4 Req.]	S23107
802B	Nut, Hex 3/8-16 [5 Req.]	S23103
804A	Weight, Clack	S15325
804B	Washer, Clack	S14843
810A	Plug, Pipe 1/4" NPT	S23715
810B	Plug, Pipe 1-1/4" NPT	S23694
835	Clack, Rubber	L05749

NOTE: Refer to **Supplement A** for base configuration and mounting hardware.



BERKELEY® B4TQKLS-18 AIR COOLED ENGINE DRIVE SELF PRIME

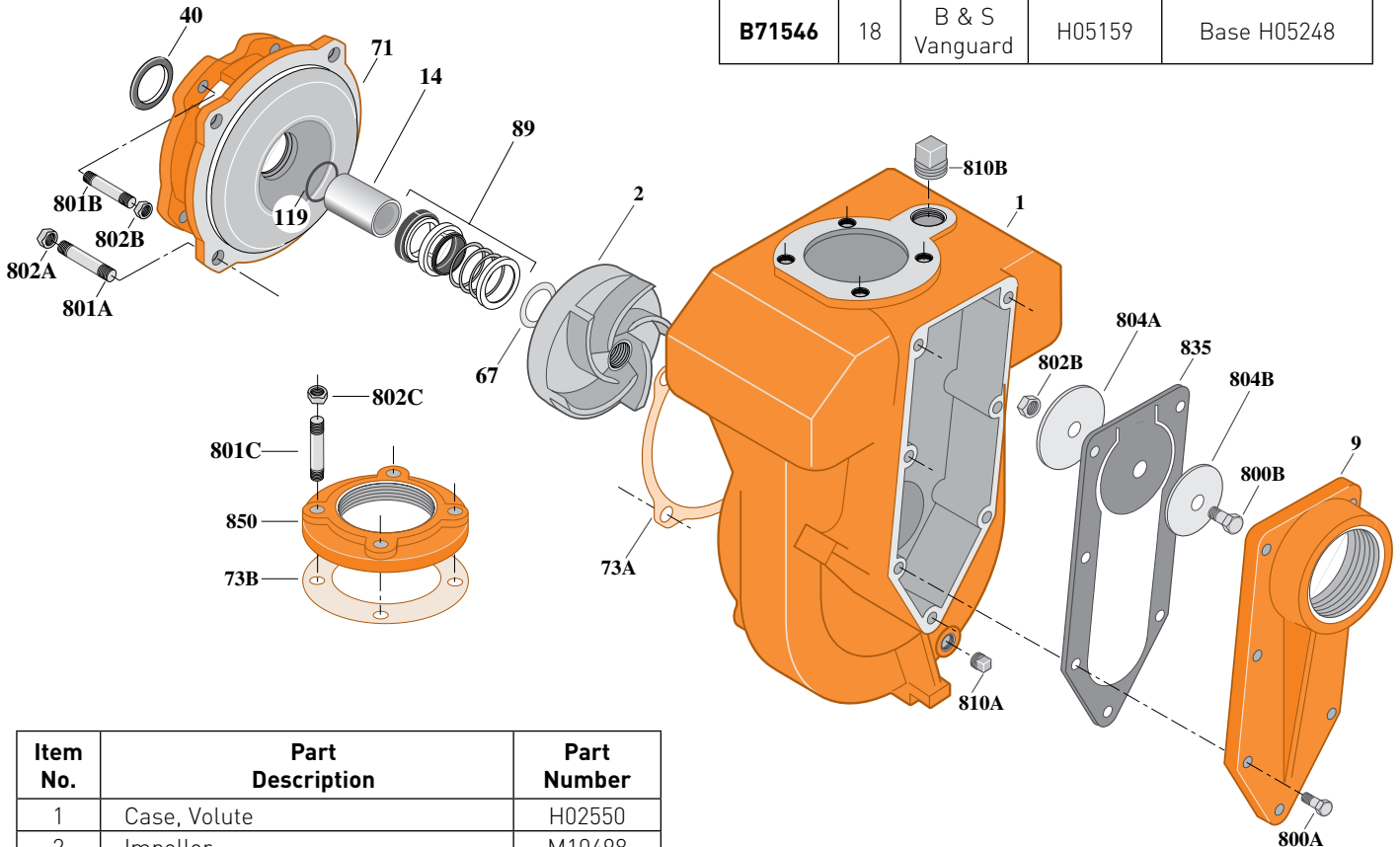
Cast Iron Impeller

Threaded Case (NPT), Mechanical Seal Construction

Section	AC/SP
Page	130.1
Date	March 4, 2013
Supersedes 01/01/04	

Table I

B/M No.	HP	Engine Mfr.	Engine Part No.	Mounting Type & Part No.
B71546	18	B & S Vanguard	H05159	Base H05248



2253 0196

Item No.	Part Description	Part Number
1	Case, Volute	H02550
2	Impeller	M10498
9	Cover, Suction	L04108
14	Sleeve, Shaft	M10731
40	Slinger, Water	S03893
67	Shim (.015 Thick) (As Required)	S15335
71	Bracket	H05263
73A	Gasket, Case (.031 Thick)	S04757
73A	Gasket, Case (.051 Thick)	S15049
73B	Gasket, Companion Flange	S10364
89	Seal, Mechanical Shaft	S32014
119	O-Ring	M10728
800A	Capscrew, Hex 3/8-16x1-1/4" (7 Req.)	S26828
800B	Capscrew, Hex 3/8-16x3/4"	S26824
801A	Stud, 1/2-13x1-1/2" (4 Req.)	S24043
801B	Stud, 3/8-16x1-1/2" (4 Req.)	S23995
801C	Stud, 5/8-11x2-1/2" (4 Req.)	S24062
802A	Nut, Hex 1/2-13 (4 Req.)	S23107

Item No.	Part Description	Part Number
802B	Nut, Hex 3/8-20 (5 Req.)	S23103
802C	Nut, Hex 5/8-11 (4 Req.)	S23109
804A	Weight, Clack	S14842
804B	Washer, Clack	S15325
810A	Plug, Pipe 1/4" NPT	S23717
810B	Plug, Pipe 1-1/4" NPT	S23694
835	Clack, Rubber	L04119
850	Flange, Companion	S15933

NOTE: Refer to **Supplement A** for base configuration and mounting hardware.



BERKELEY® B4ZQKLS-30 AIR COOLED ENGINE DRIVE SELF PRIME

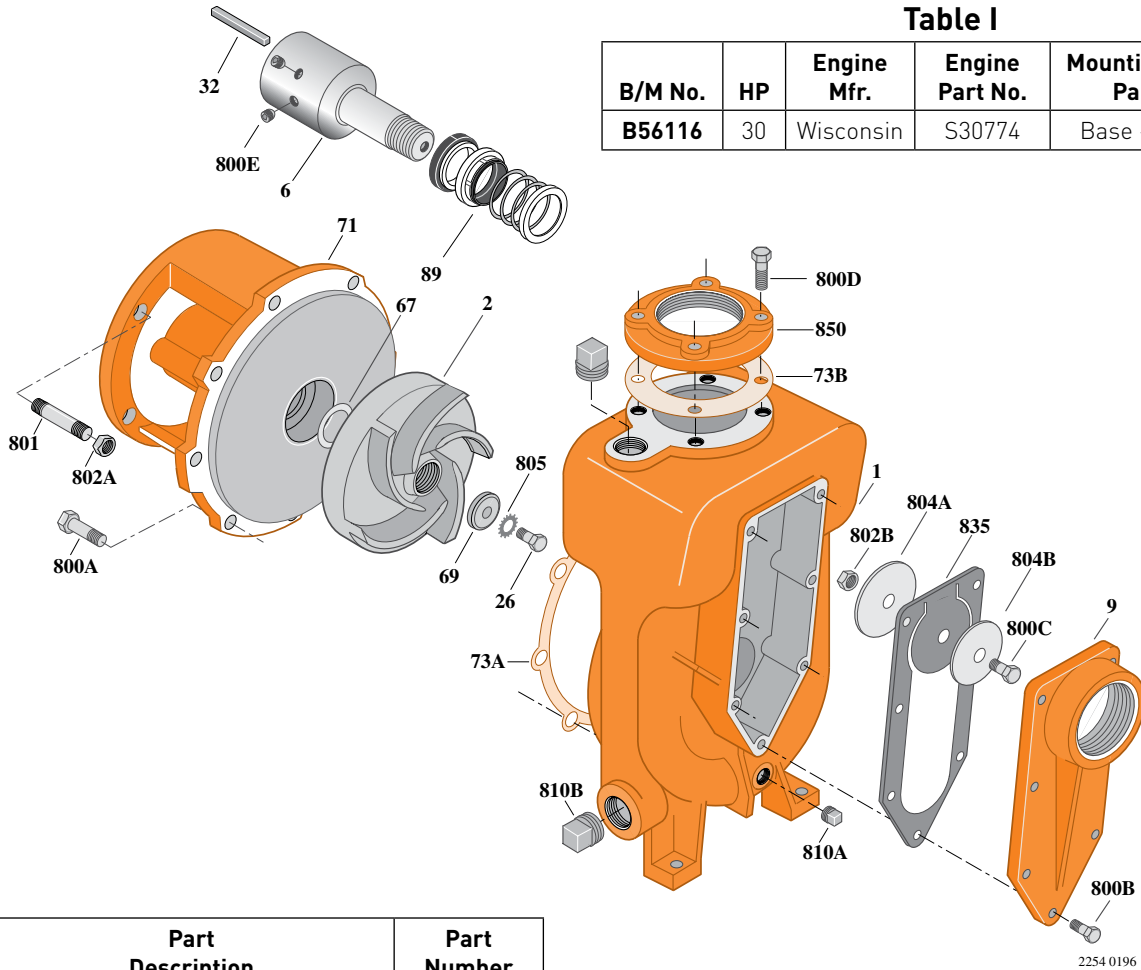
Cast Iron Impeller

Threaded Case (NPT), Mechanical Seal Construction

Section	AC/SP
Page	140.1
Date	March 4, 2013
Supersedes 04/01/96	

Table I

B/M No.	HP	Engine Mfr.	Engine Part No.	Mounting Type & Part No.
B56116	30	Wisconsin	S30774	Base - S37521



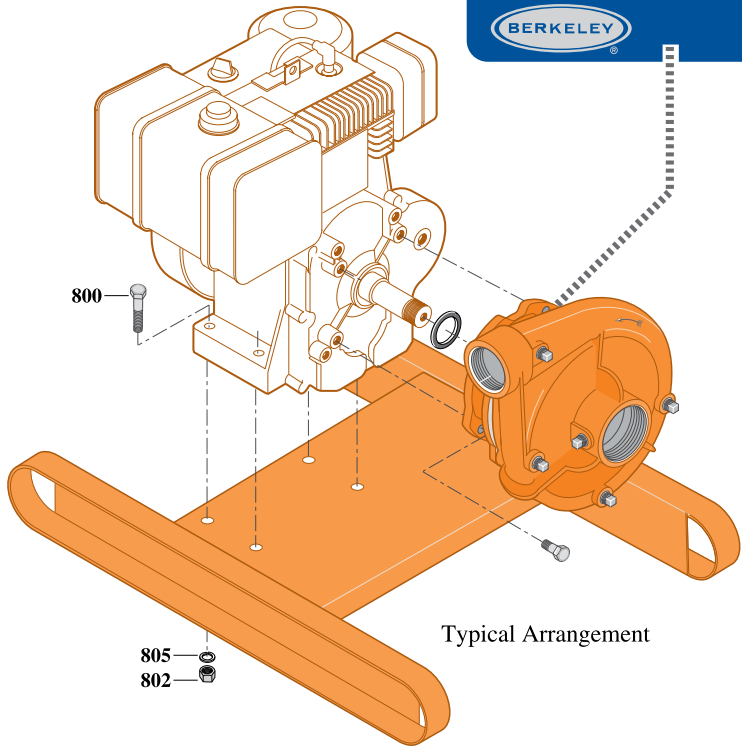
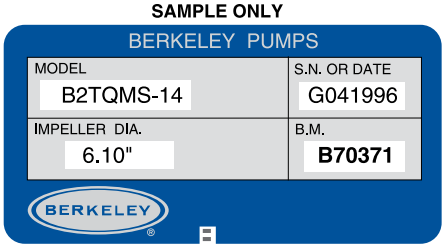
Item No.	Part Description	Part Number
1	Case, Volute	H02505
2	Impeller	M05636
6	Shaft, Telescope	M02875
9	Cover, Suction	L04108
26	Screw, Impeller 3/8-16x1"	S23566
32	Key, 3/8x3"	S24193
67	Shim [.015 Thick] (As Required)	S15335
69	Washer, Impeller	S06314
71	Bracket	H01079
73A	Gasket, Case	S05126
73B	Gasket, Companion Flange	S10364
89	Seal, Mechanical Shaft	S32014
800A	Capscrew, Hex 3/8-16x1" [8 Req.]	S26826
800B	Capscrew, Hex 3/8-16x1-1/4" [7 Req.]	S26828
800C	Capscrew, Hex 3/8-16x1"	S26824
800D	Capscrew, Hex 5/8-11x1-3/4" [4 Req.]	S27001

Item No.	Part Description	Part Number
800E	Screw, Set 1/2-13 [2 Req.]	S27793
801	Stud, 7/16-14x2" [4 Req.]	S24004
802A	Nut, Hex 7/16-14 [4 Req.]	S23015
802B	Nut, Hex 3/8-16	S23103
804A	Weight, Clack	S14842
804B	Washer, Clack	S15325
805	Washer, Lock	S23036
810A	Plug, Pipe 1/4" NPT	S23717
810B	Plug, Pipe 1-1/2" NPT [2 Req.]	S23695
835	Clack, Rubber	L04119
850	Flange, Companion	S15933

NOTE: Refer to **Supplement A** for base configuration and mounting hardware.



Section	AC
Supplement	A
Date	March 4, 2013
Supersedes 07/01/11	



Parts Ordering Information

The diagrams and parts lists given on the following pages depict a typical pump configuration. It is most important that before calling in for repair instructions, or when ordering replacement parts, locate the Berkeley nameplate on the pump. It is affixed to the motor bracket, as shown here. Provide all nameplate data, especially the S.N OR DATE number and the **B.M. (Bill of Material)** number to ensure receiving correct parts.

BASE M10733
BASE S37504
BASE H05248

Item No.	Part Description	Part Number
800	Capscrew, Hex 5/16-18x1-3/8 (4 Req.)	S26790
802	Nut, Hex 5/16-18 (4 Req.)	S23671
805	Spring Washer, 5/16 (4 Req.)	S23075

BASE S37505

Item No.	Part Description	Part Number
800	Capscrew, Hex 3/8-16x1-1/2 (4 Req.)	S26830
802	Nut, Hex 3/8-16 (4 Req.)	S23103
805	Spring Washer, 3/8 (4 Req.)	S23076

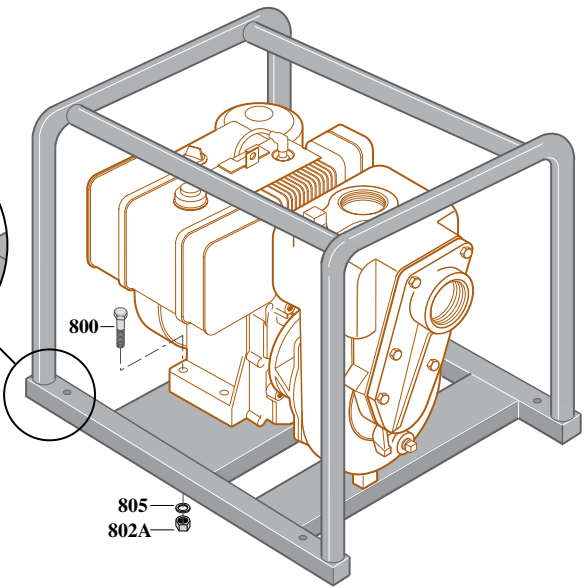
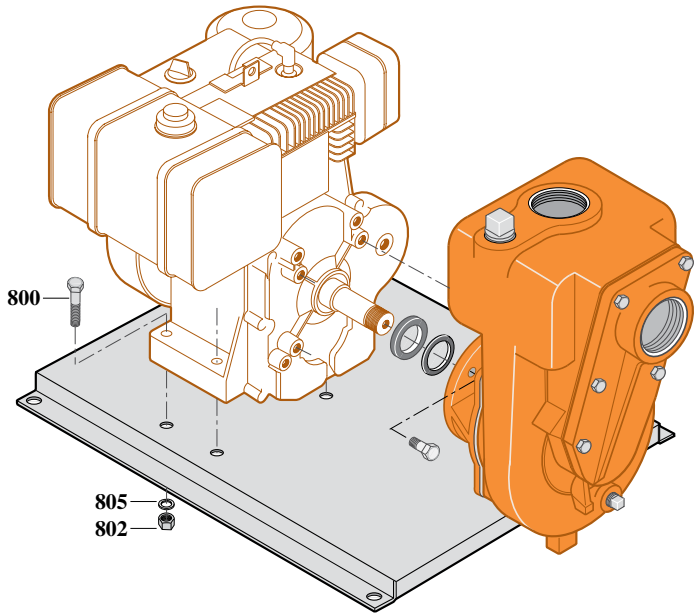
BASE S37521

Item No.	Part Description	Part Number
800	Capscrew, Hex 1/2-13x1 (4 Req.)	S26912
802	Nut, Hex 1/2-13 (4 Req.)	S23107
805	Spring Washer, 1/2 (4 Req.)	S23091

Section	AC
Supplement	B
Date	March 4, 2013
Supersedes 01/01/04	

BASE L04044

Item No.	Part Description	Part Number
800	Capscrew, Hex 5/16-18x1-1/2 (4 Req.)	S26788
802	Nut, Hex 5/16-18 (4 Req.)	S23671
805	Spring Washer, 5/16 (4 Req.)	S23075



BASE H05445

Item No.	Part Description	Part Number
800	Capscrew, Hex 5/16-18x1-1/2 (4 Req.)	S26788
802A	Nut, Hex 5/16-18 (4 Req.)	S26454
802B	Nut, Hex Flanged 5/16-18 (4 Req.)	S23680
805	Spring Washer, 5/16 (4 Req.)	S23075
819	Foot, Base, Rubber Tipped (4 Req.)	M10800

BERKELEY®

Replacement Air Cooled Engines

AIR COOLED ENGINE DRIVE

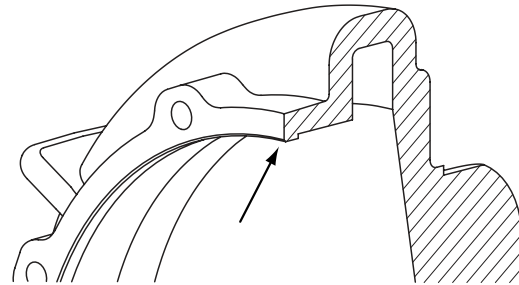
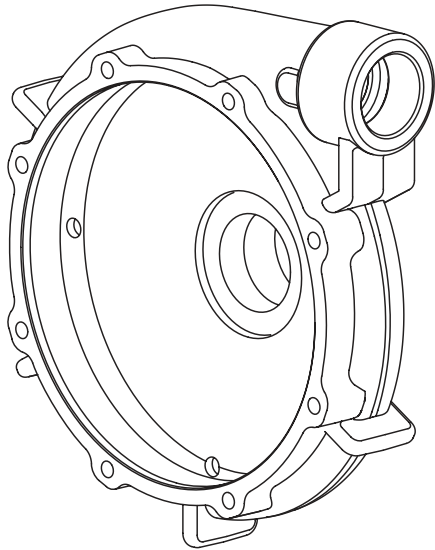
Section	AC
Supplement	C
Date	March 4, 2013
Supersedes 01/01/04	

Model	HP	Engine Manufacturer	Manufacturer's Type No.	Starter	Battery Charger Generator	Fuel Tank	Crankshaft Extension	Catalog Number
EX13	4.5	Robin	Not Applicable	Rewind	Not Applicable	Included 0.70 Gal.	5/8"-18 Threaded	H05331
EX17	6	Robin	Not Applicable	Rewind	Not Applicable	Included 0.95 Gal.	5/8"-18 Threaded	H05330
EX27	9	Robin	Not Applicable	Rewind	Not Applicable	Included 1.59 Gal.	1"-14 Threaded	S30691
EH34	11	Robin	Not Applicable	12 Volt Electric	Included 10 Amp	Included 1.59 Gal.	1"-14 Threaded	H05504
EH41	13.5	Robin	Not Applicable	12 Volt Electric	Included 16 Amp	Included 1.85 Gal.	1"-14 Threaded	H05167
V-Twin	18	Briggs & Stratton Vanguard	Not Applicable	12 Volt Electric	Included 16 Amp	Not Applicable	1"-14 Threaded	H05159



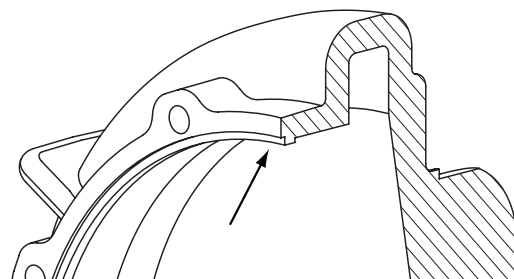
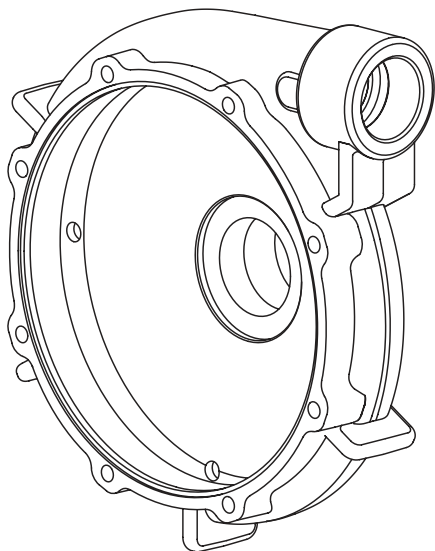
Section	AC
Supplement	E
Date	March 4, 2013
Supersedes 07/01/11	

Volute Sealing: Gasket Only



Style 1: There is a small chamfer along the back face of the volute, but no circumferential O-Ring groove. This volute can ONLY be sealed with a gasket.

Volute Sealing: O-ring or Gasket



Style 2: O-Ring groove machined into back face of volute. This volute can be sealed with a gasket or with an O-Ring.